

CubePro™

Prosumer 3D Printer



Cartridge Bay Replacement Guide

Original Instructions

COPYRIGHT

© 2014 by 3D Systems, Inc. All rights reserved. This document is subject to change without notice. This document is copyrighted and contains proprietary information that is the property of 3D Systems, Inc. Cubify, and the 3D Systems logo are registered trademarks of 3D Systems, Inc. CubePro is a trademark of 3D Systems, Inc. Use of the Cubify.com website constitutes acceptance of its Terms of Service and Privacy Policy.

FCC NOTICE

This equipment has been tested and found to comply with the limits for a Class B digital device, pursuant to part 15 of the FCC Rules. These limits are designed to provide reasonable protection against harmful interference in a residential installation. This equipment generates, uses and can radiate radio frequency energy and, if not installed and used in accordance with the instructions, may cause harmful interference to radio communications. However, there is no guarantee that interference will not occur in a particular installation. If this equipment does cause harmful interference to radio or television reception, which can be determined by turning the equipment off and on, the user is encouraged to try to correct the interference by one or more of the following measures:

- Reorient or relocate the receiving antenna.
- Increase the separation between the equipment and receiver.
- Connect the equipment into an outlet on a circuit different from that to which the receiver is connected.
- Consult the dealer or an experienced radio/TV technician for help.



NOTE: Changes or modifications to this equipment not specifically approved by 3D Systems may void the user's authority to operate this equipment.

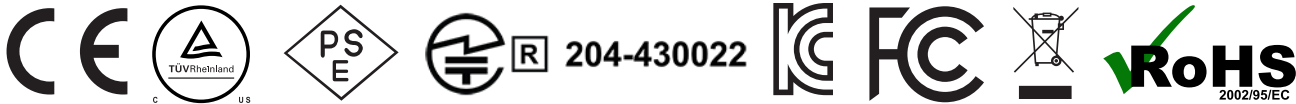
KCC

이 기기는 가정용(B급) 전자파적합기기로서 주로 가정에서 사용하는 것을 목적으로 하며, 모든 지역에서 사용할 수 있습니다.

This equipment is home use (Class B) electromagnetic wave suitability equipment and to be used mainly at home and it can be used in all areas.

COMPLIANCE

This equipment conforms with International Electric Committee (IEC) 60950-1 and meets the requirements of the applicable EC directives.



CAN ICES-3 (B)/NMB-3(B)

This device complies with Industry Canada license-exempt RSS standard(s). Operation is subject to the following two conditions: (1) this device may not cause interference, and (2) this device must accept any interference, including interference that may cause undesired operation of the device.

Le présent appareil est conforme aux CNR d'Industrie Canada applicables aux appareils radio exempts de licence. L'exploitation est autorisée aux deux conditions suivantes: (1) l'appareil ne doit pas produire de brouillage, et (2) l'utilisateur de l'appareil doit accepter tout brouillage radioélectrique subi, même si le brouillage est susceptible d'en compromettre le fonctionnement.

WARRANTY

3D Systems warrants that the CubePro 3D Printer will be free from defects in materials and workmanship, during the applicable warranty period, when used under the normal conditions described in the documentation provided to you, including this User Guide. 3D Systems will promptly repair or replace the CubePro 3D Printer, if required, to make it free of defects during the warranty period. This warranty excludes (i) normal consumable or expendable parts (such as Material Cartridges), (ii) repairs required during the warranty period because of abnormal use or conditions (such as riots, floods, misuse, neglect or improper service by anyone except 3D Systems or its authorized service provider), and (iii) repairs required during the warranty period because of the use of non-integrated, non-approved or non-licensed materials with the CubePro 3D Printer. The warranty period for the CubePro 3D printer is the shorter of (i) 90 days from the date your CubePro 3D printer is activated or (ii) 24 months after the CubePro 3D Printer is shipped from 3D Systems to the end customer or intermediary. For consumers who are covered by consumer protection laws or regulations in their country of purchase or, if different, their country of residence, the benefits conferred by our ninety (90) day warranty are in addition to, and operate concurrently with, all rights and remedies conveyed by such consumer protection laws and regulations, including but not limited to these additional rights.

THIS WARRANTY IS THE ONLY WARRANTY PROVIDED FOR THE CUBEPRO 3D PRINTER. TO THE MAXIMUM EXTENT PERMITTED BY LAW, 3D SYSTEMS EXPRESSLY DISCLAIMS ALL OTHER WARRANTIES FOR THE CUBEPRO 3D PRINTER AND EACH OF ITS COMPONENTS, WHETHER THOSE WARRANTIES ARE EXPRESS, IMPLIED OR STATUTORY, INCLUDING WARRANTIES OF MERCHANTABILITY AND FITNESS FOR INTENDED OR PARTICULAR PURPOSES.

LIMITATION OF LIABILITY

3D SYSTEMS WILL NOT BE RESPONSIBLE FOR INDIRECT, SPECIAL, CONSEQUENTIAL, EXEMPLARY OR INCIDENTAL DAMAGES (SUCH AS LOSS OF PROFIT OR EMPLOYEE'S TIME) REGARDLESS OF THE REASON. IN NO EVENT SHALL THE LIABILITY AND/OR OBLIGATIONS OF 3D SYSTEMS ARISING OUT OF THE PURCHASE, LEASE, LICENSE AND/OR USE OF THE EQUIPMENT BY YOU OR OTHERS EXCEED THE PURCHASE PRICE OF THE CUBEPRO 3D PRINTER.

Warranty Hotline from the Americas

888-598-1440 inside the US and
+1 678-338-3480 outside the US
weekdays during normal business hours
or by email at cubifysupport@cubify.com.

Warranty Hotline from Europe

+44 1442 279 839 (UK) or
+49 6151 357 499 (DE) weekdays during
normal business hours or by email at
cubifysupport@cubify.com.

Warranty Hotline from Europe

+44 1442 279 839 (UK) or
+49 6151 357 499 (DE) weekdays
during normal business hours or by
email at cubifysupport@cubify.com.

2 IMPORTANT SAFETY INFORMATION

SAFETY SYMBOLS AND DEFINITIONS



HOT SURFACE HAZARD: A HOT SURFACE IS ACCESSIBLE IN THE VICINITY OF THIS SIGN OR AT THE PRINT JET. AVOID CONTACT WITH THESE AREAS. HOT SURFACES CAN CAUSE SEVERE BURNS.



Caution: Indicates something may happen that could cause loss of data, damage to equipment, or could cause personal injury.



Caution: Indicates a pinch point hazard that could cause personal injury.



SHOCK WARNING: INDICATES A POTENTIAL SHOCK HAZARD.

SAFETY GUIDELINES

- Follow all safety rules in this section and observe all cautions and warnings in this guide.
- Do not modify any safety features or make modifications to the CubePro. Doing so is prohibited and voids the warranty.
- Use of print materials other than genuine 3D Systems components may void the warranty.



WARNING: HAZARDOUS MOVING PARTS. KEEP FINGERS AND OTHER BODY PARTS AWAY.



HOT SURFACE HAZARD: DO NOT TOUCH THE PRINT JETS DURING SETUP AND OPERATION. THE PRINT JETS BECOME VERY HOT.



Caution: Read and follow all instruction prior to setting up the printer.



SHOCK WARNING: DUE TO RISK OF SHOCK, AVOID CONTACT WITH ALL INTERNAL ELECTRONIC COMPONENTS.



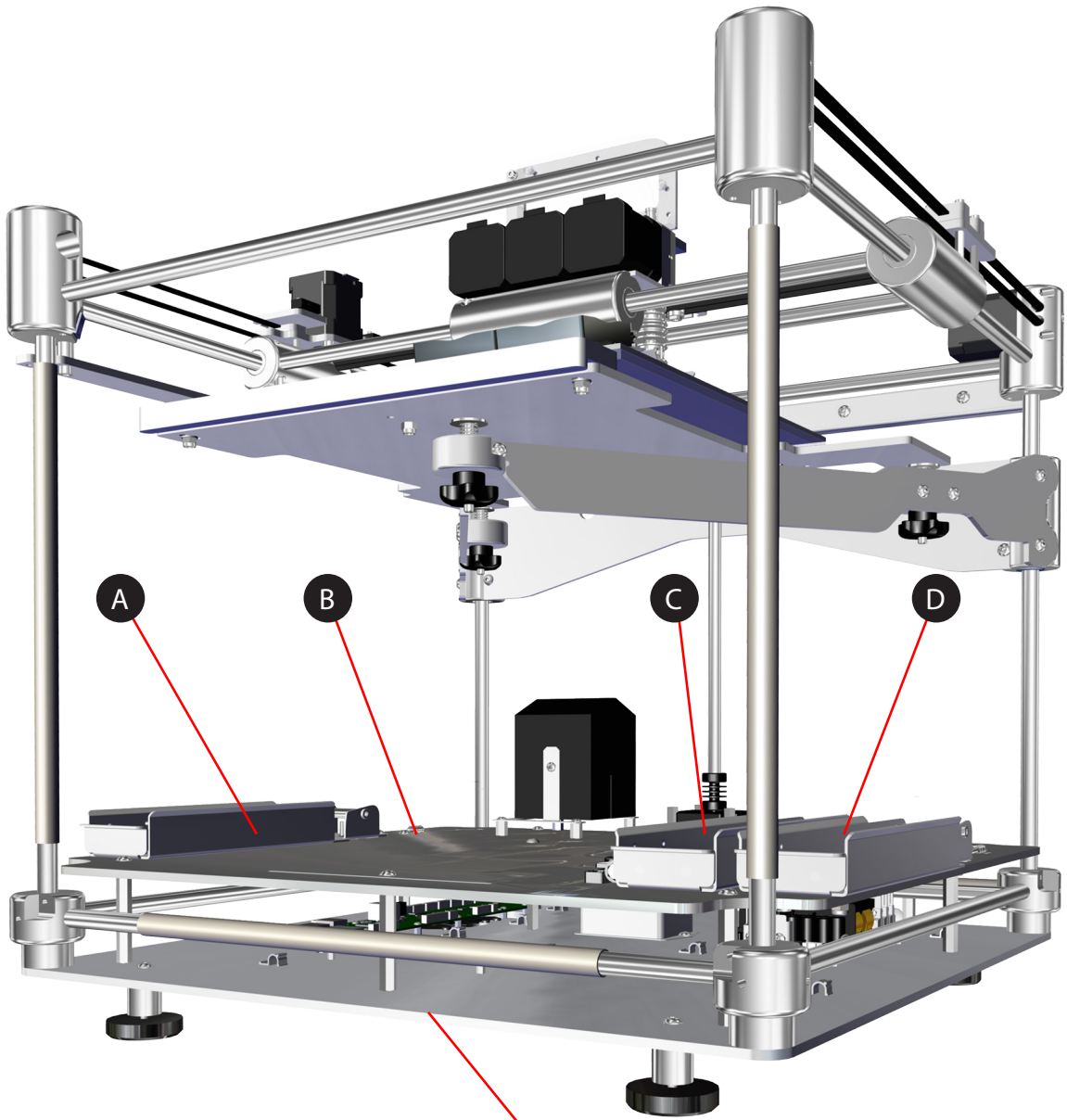
WARNING: THE CUBEPRO SHOULD ONLY BE SERVICED BY AUTHORIZED SERVICE TECHNICIANS. PRIOR TO ANY PART REPLACEMENT PROCEDURE, THE PRINTER MUST BE POWERED OFF AND DISCONNECTED FROM UTILITY POWER.



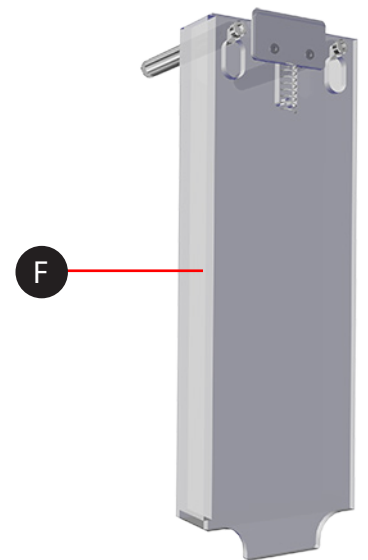
HOT SURFACE HAZARD: WHEN PRINTING WITH ABS MATERIAL, THE INTERIOR (PRINT CHAMBER) OF THE PRINTER WILL HEAT TO A PREDETERMINED TEMPERATURE. THE SURFACE OF THE PRINT CHAMBER HEATER WILL BE HOT. AVOID CONTACT WITH THE PRINT CHAMBER HEATER AND NOTE THAT OTHER COMPONENTS INSIDE THE PRINT CHAMBER MAY BE HOT.

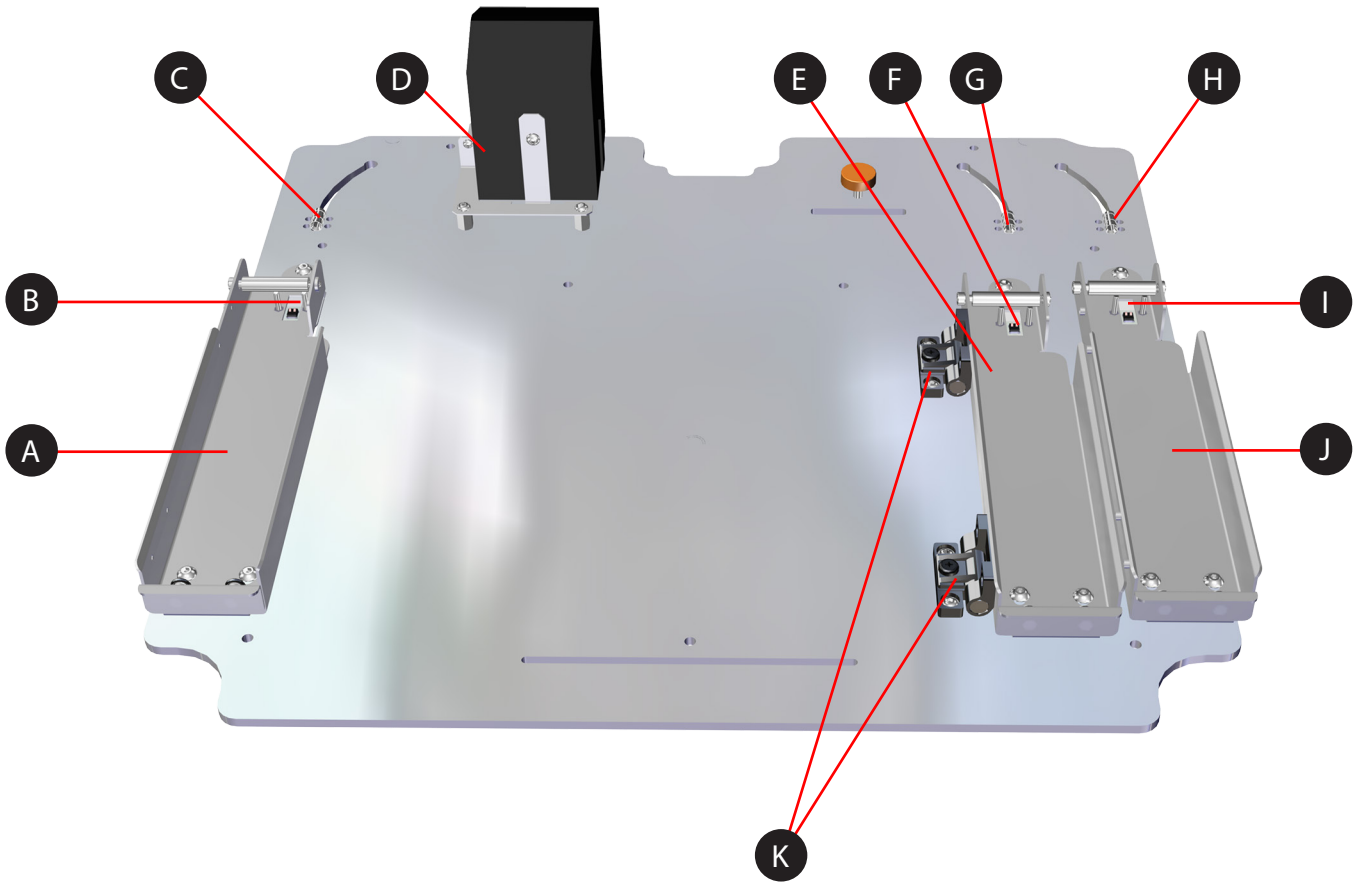
To ensure safety, please exercise caution when operating your CubePro. Read and follow all safety precautions as outlined in this user guide. Be careful when operating your CubePro to ensure proper printing and be mindful of and avoid hot surfaces.

3 AT A GLANCE



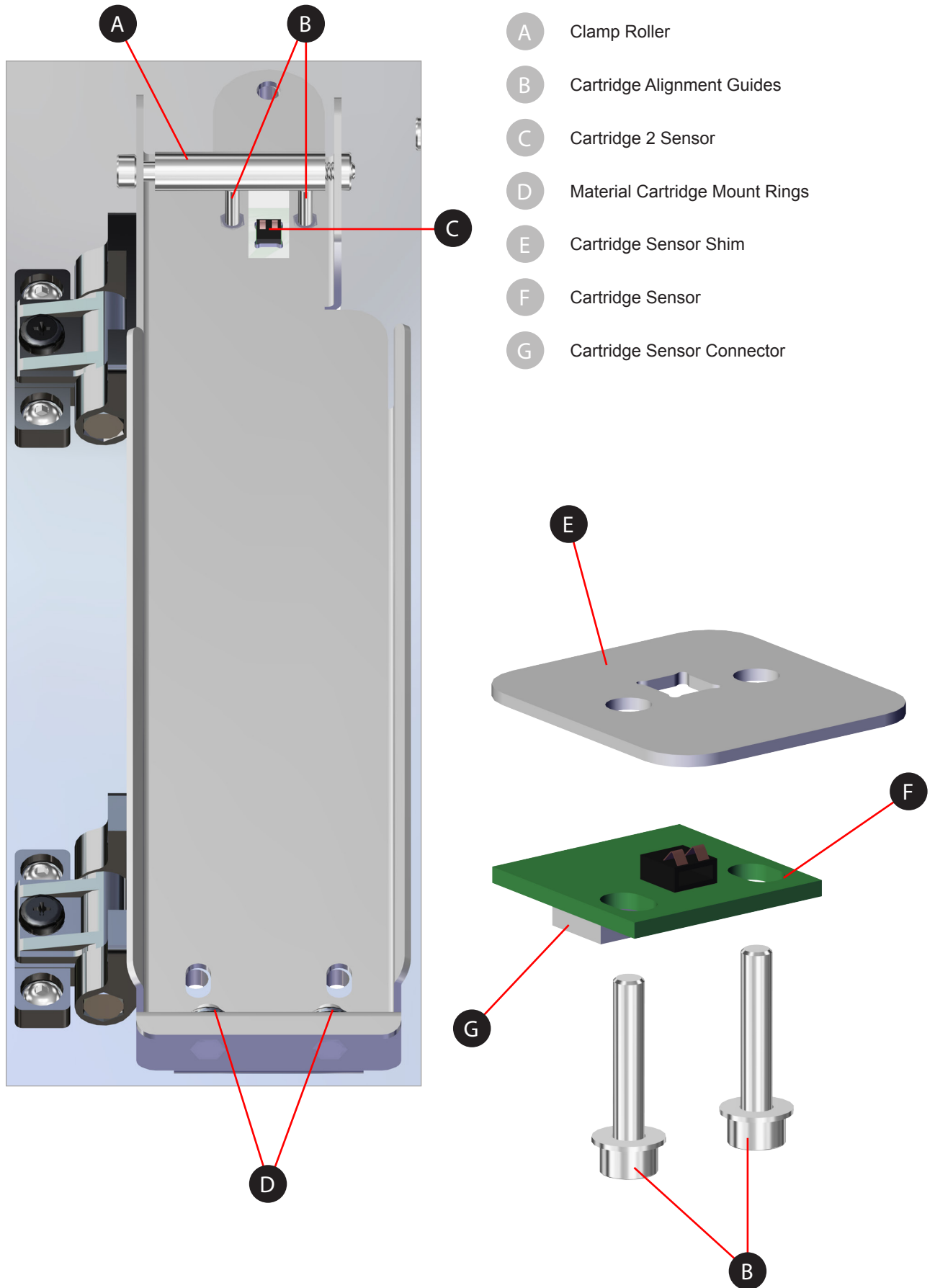
- A Cartridge Bay 1
- B Inner Floor
- C Cartridge Bay 2
- D Cartridge Bay 3
- E Outer Floor



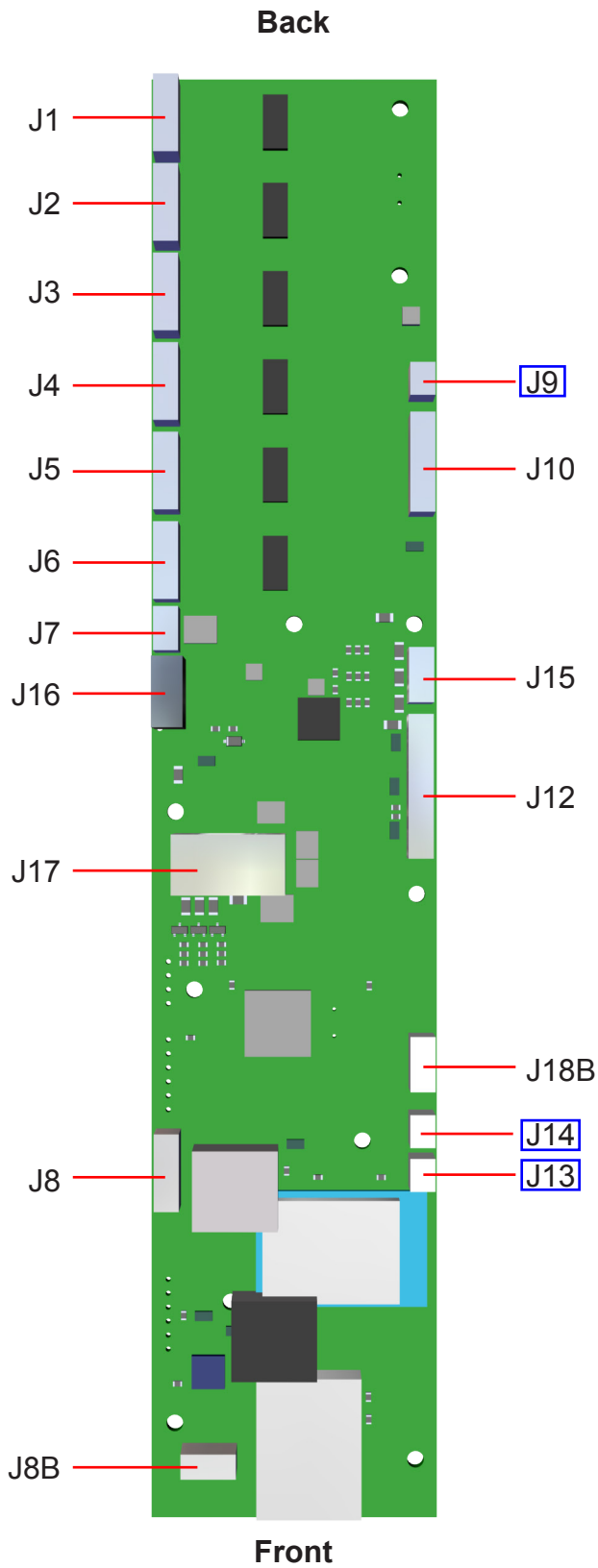


- | | | | |
|---|--------------------|---|------------------------|
| A | Cartridge Bay 1 | G | Delivery Tube 2 |
| B | Cartridge 1 Sensor | H | Delivery Tube 3 |
| C | Delivery Tube 1 | I | Cartridge 3 Sensor |
| D | Interior Heater | J | Cartridge Bay 3 |
| E | Cartridge Bay 2 | K | Cartridge Bay 2 Hinges |
| F | Cartridge 2 Sensor | | |

Cartridge Bay 2



Connections



Junction	Cable	Part
J1	401889	X Loom
J2	401889	Y Loom
J3	401889	Z Loom
J4	401889	Extruder 1
J5	401889	Extruder 2
J6	401889	Extruder 3
J7	401893	Relay
J8	401889	Limit Switch
J8B	401897	Host USB
J9	401895	Cartridge 1 Sensor
J10	401889	Head Loom
J12	401899	Display Cable
J13	401896	Cartridge 2 Sensor
J14	401896	Cartridge 3 Sensor
J15	401892	LED
J16	401894	Relay to Power Supply
J17	401889	Print Jet Nozzles
J18B	401898	Device USB

4 REPLACING CARTRIDGE BAYS

TOOLS NEEDED

- 2 mm Hex Driver
- 2.5 mm Hex Driver
- 3 mm Hex Driver
- 7 mm wrench
- 8 mm wrench
- Wire Cutters

REPLACING THE POWER SUPPLY



WARNING: BEFORE SERVICING THESE COMPONENTS, ENSURE YOU ARE WEARING A WELL-GROUNDED ELECTRO-STATIC DISCHARGE (ESD) STRAP. ESD PROTECTION IS REQUIRED.



WARNING: NEVER PULL ON WIRES TO DISCONNECT THE CONNECTORS. THIS COULD DAMAGE THE WIRES AND THE CONNECTORS AND VOID THE MANUFACTURER'S WARRANTY.



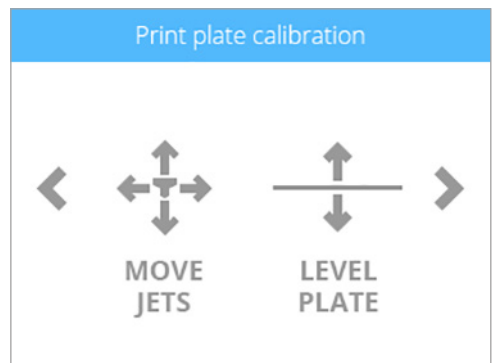
WARNING: EVEN AFTER THE PRINTER HAS BEEN TURNED OFF AND DISCONNECTED FROM UTILITY POWER, IT IS POSSIBLE TO STILL CONTAIN RESIDUAL VOLTAGE. EXTREME CAUTION IS REQUIRED.

1. Remove all print cartridges.



NOTE: Refer to the section titled Replacing A Material Cartridge in chapter 6 of the User Guide.

2. Move the print pad to its lowest position.
3. Remove the jet wiper assembly.
4. Navigate to the **Print Pad Calibration** screen and select **LEVEL PLATE**.

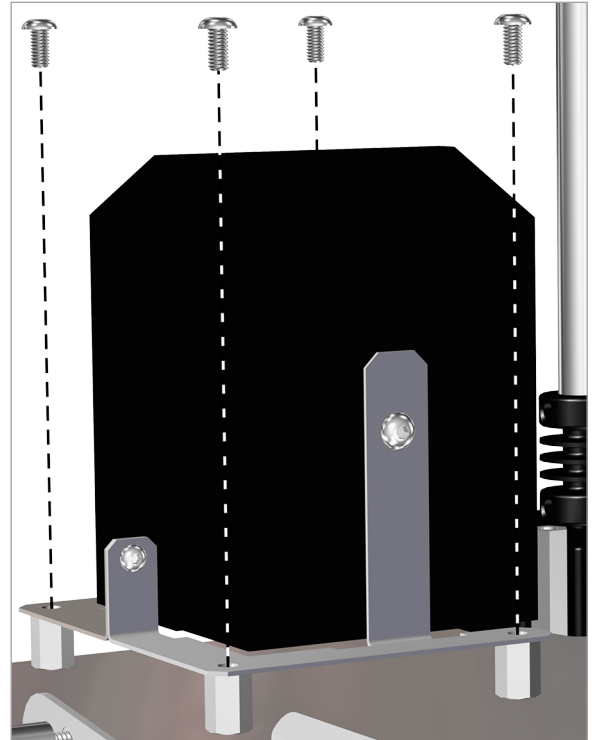


5. Once the print pad has raised, turn off the main power switch on the right side of the printer.
6. Disconnect the power cord from the printer.

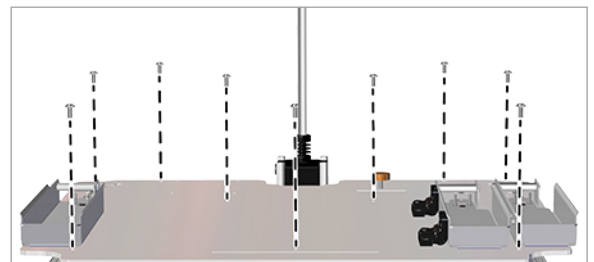


WARNING: THE PRINTER MUST BE POWERED OFF AND DISCONNECTED FROM UTILITY POWER.

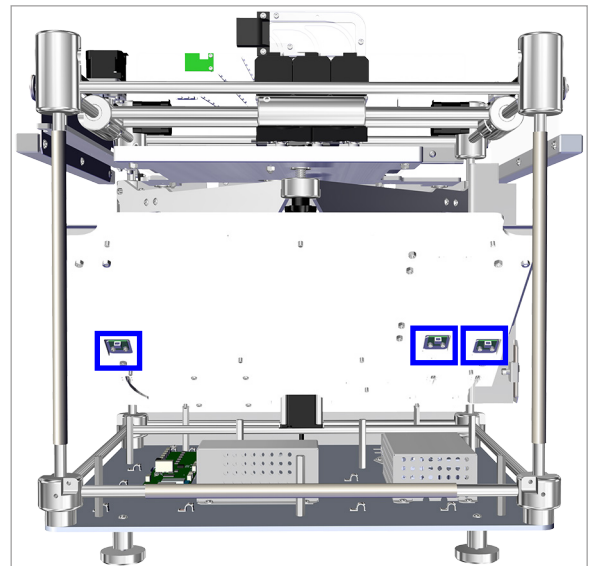
- Using a 2.5 mm hex nut driver, loosen and remove the four (4) screws securing the interior heater to the standoffs. Carefully set the heater aside on top of the printer floor.



- Using a 3 mm hex head driver, loosen and remove all nine (9) 3 mm hex head bolts securing the inner floor. Retain the screws for reassembly.



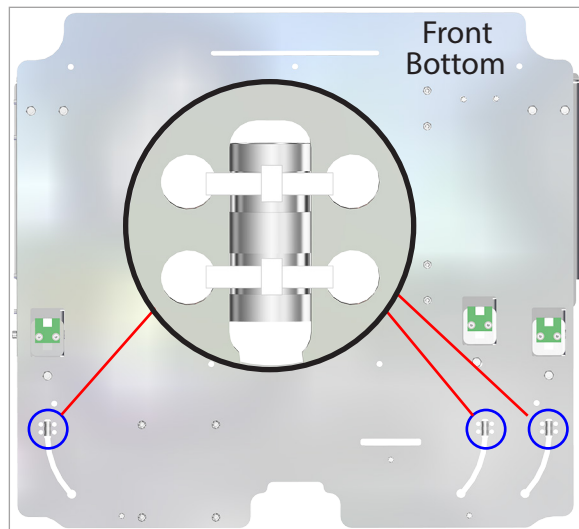
- Lift the front of the floor plate and carefully disconnect the cables from the cartridge sensors.



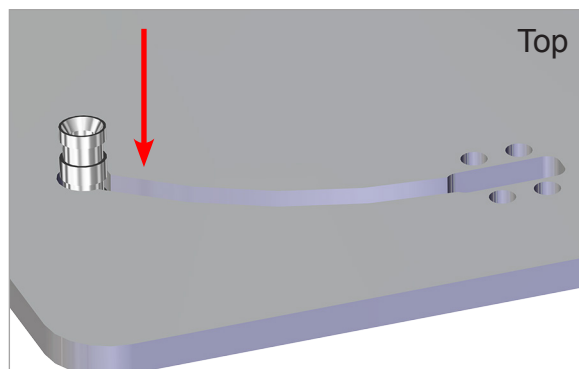
10. Using wire cutters, carefully cut the six (6) zip ties securing the delivery tube nuts to the inner floor.



CAUTION: Remove all remnants of the wire ties. Any plastic that may drop into the components can cause damage if left there.



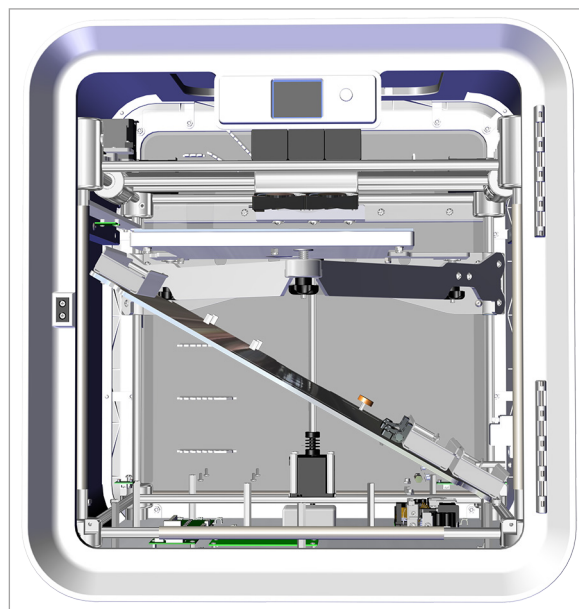
11. Route the delivery tube nuts to the rounded openings in the inner floor and push them through.



12. Carefully tilt the inner floor at an angle and pull it out of the printer.



CAUTION: Ensure the heater assembly is properly supported as you tilt the floor. Place the heater assembly on the printer outer floor away from other components.



13. To replace cartridge bay 1 PCB only, loosen and remove both 2.5 mm hex head screws securing the cartridge bay PCB assembly to cartridge bay 1. Proceed to step 16.



NOTE: The same steps for replacing cartridge bay 1 PCB can be applied to replacing cartridge bay 3 PCB.



NOTE: For replacement of cartridge bay 2 PCB, proceed to step 17.



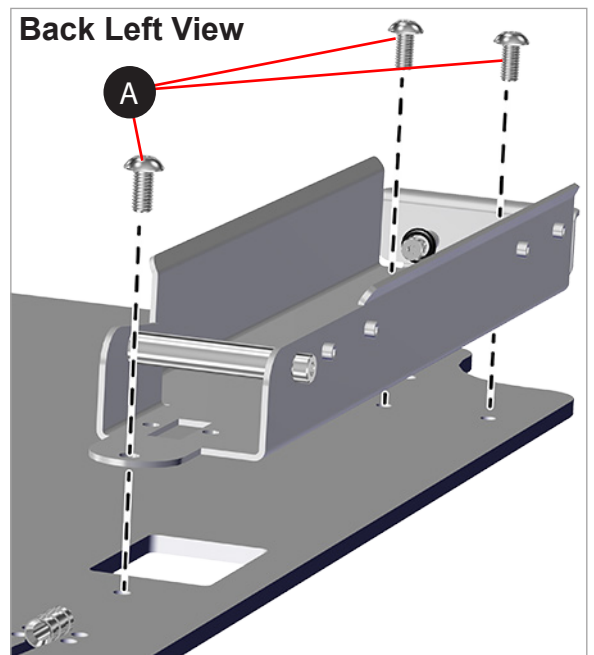
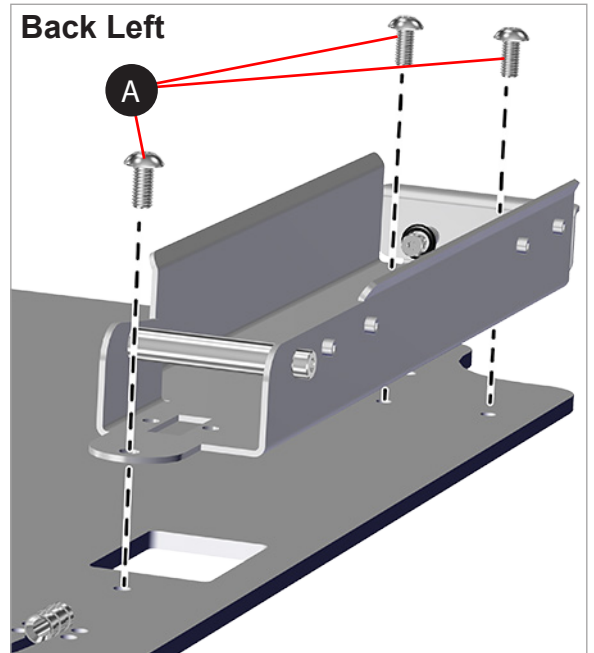
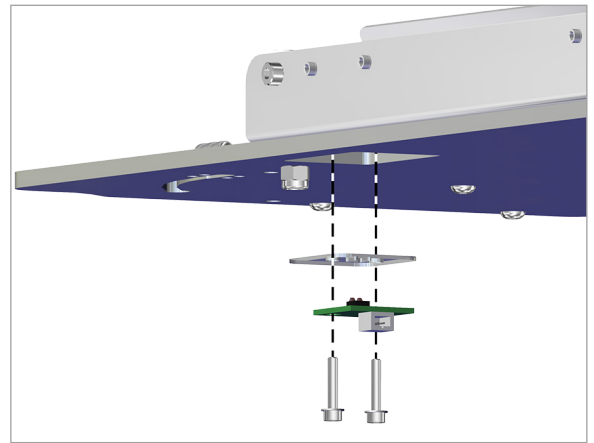
NOTE: For replacement of cartridge bay 2, proceed to step 18.

14. Using a 3 mm hex driver and an 8 mm wrench, loosen and remove all three (3) 3 mm hex head screws (A) and 8 mm nuts (B) securing cartridge bay 1 to the inner floor. Remove cartridge bay 1. Retain all hardware for reinstallation.

15. Insert the three (3) 3 mm hex head screws (A) through the cartridge bay and then through the inner floor.



CAUTION: Do not over-tighten the screws. Over-tightening the screws could damage the inner floor and void the manufacturer's warranty.



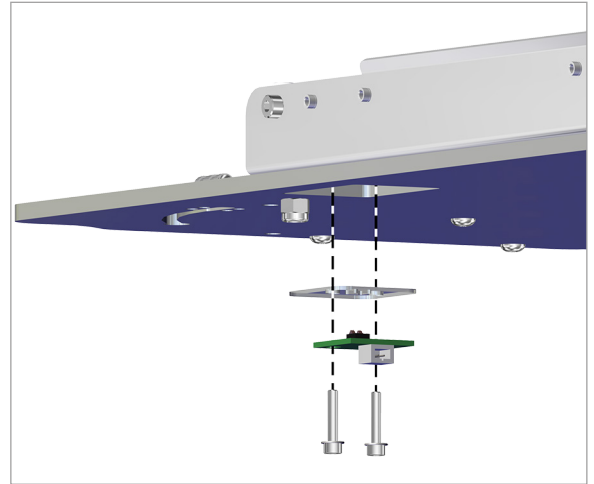
16. Insert both (2) 2.5 mm hex head screws through the cartridge sensor and cartridge sensor shim. Secure the screws through the inner floor, to the cartridge bay.



CAUTION: Do not over-tighten the screws. Over-tightening the screws could damage the cartridge sensor and void the manufacturer's warranty.



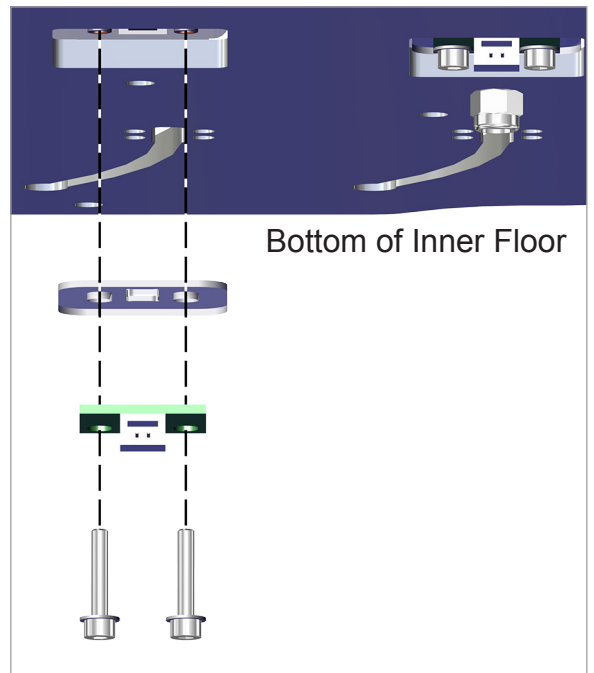
NOTE: Proceed to step 21 if no other parts are being replaced.



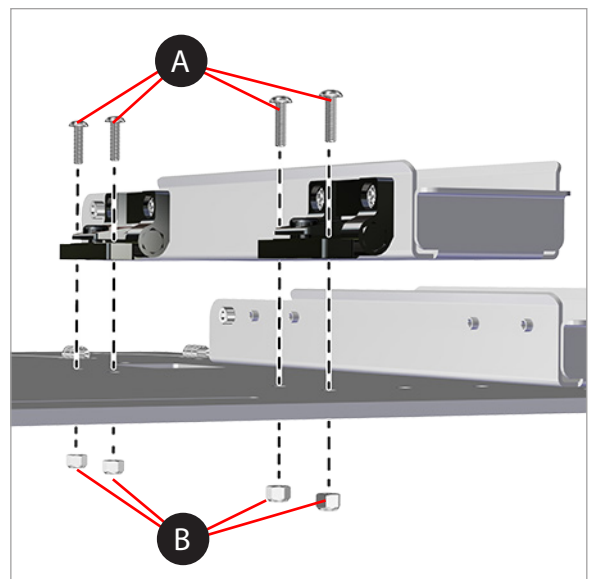
17. To replace cartridge bay 2 PCB, loosen and remove both 2.5 mm hex head screws securing the cartridge bay sensor assembly to cartridge bay 2.



NOTE: To install cartridge bay 2 PCB, proceed to step 20.



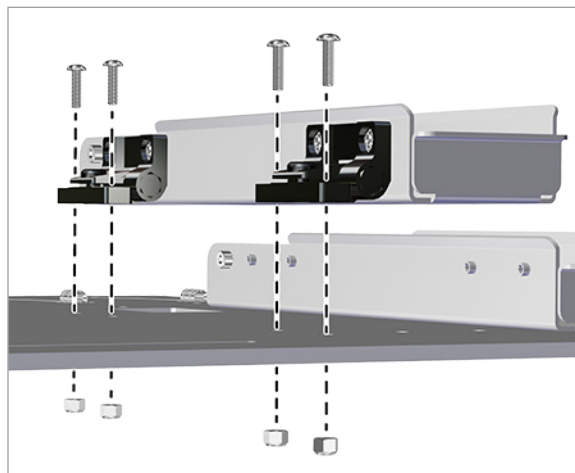
18. To replace cartridge bay 2, loosen and remove the four (4) 2.5 mm hex head cap screws (A) and 7 mm nuts (B) securing the lower hinge of cartridge 2 to the inner floor.



19. Place cartridge bay2 on top of the inner floor. Insert the four (4) 2.5 mm hex head screws through the lower hinges and the inner floor and attach the four 7 mm nuts. Tighten the nuts.



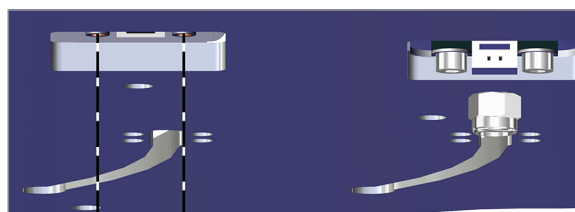
NOTE: Proceed to step 21 if no other parts are being replaced.



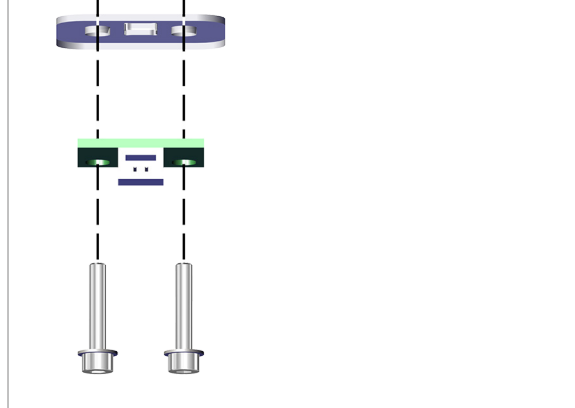
20. Secure the cartridge sensor assembly to the bottom of cartridge bay 2 by inserting and tightening both (2) 2.5 mm hex head screws.



CAUTION: Do not over-tighten the screws. Over-tightening the screws could damage the cartridge sensor and void the manufacturer's warranty.



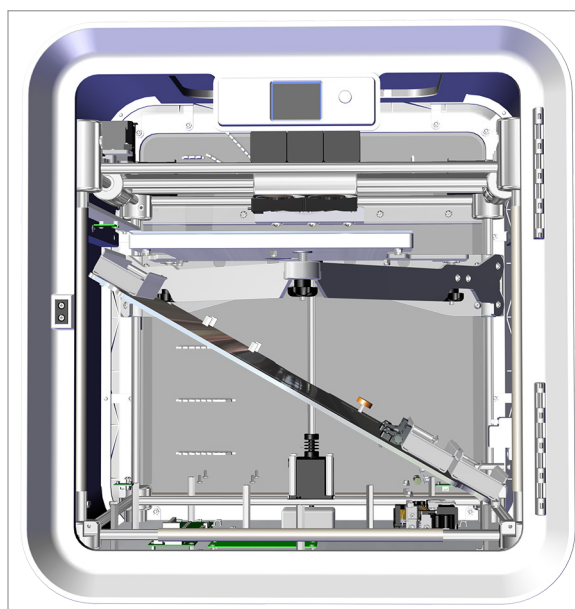
Bottom of Inner Floor



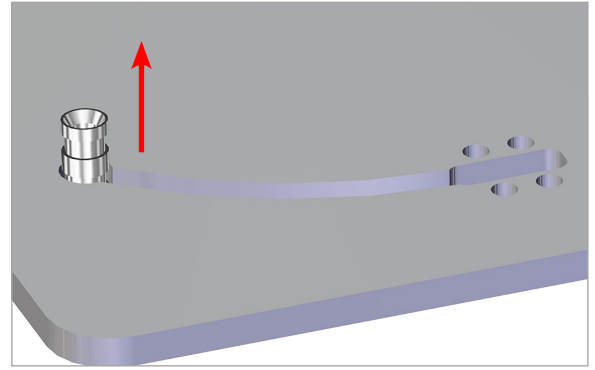
21. Carefully tilt the inner floor at an angle and place it into the printer.



CAUTION: As you rotate the inner floor horizontally, make note of the position of the interior heater assembly.



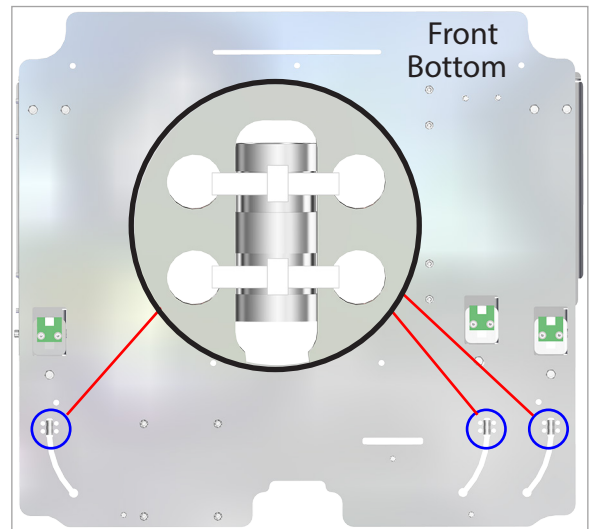
22. Route the delivery tube nuts through the holes in the inner floor and position them where they will be secured.



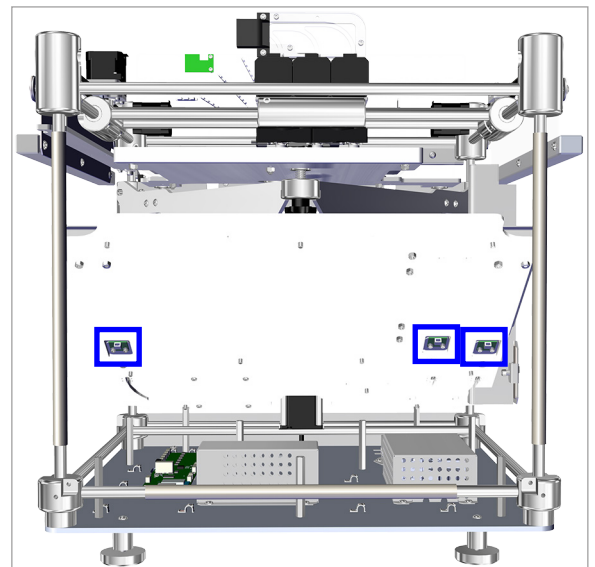
23. Using zip ties, secure the delivery tube nuts to the inner floor. Cut off any excess plastic from the zip ties.



CAUTION: Remove all remnants of the wire ties. Any plastic that may drop into the components can cause damage if left there.

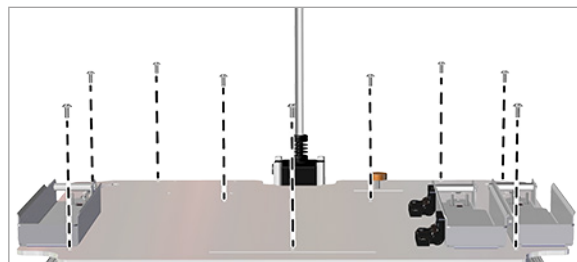


24. Reconnect the material cartridge bay sensors.

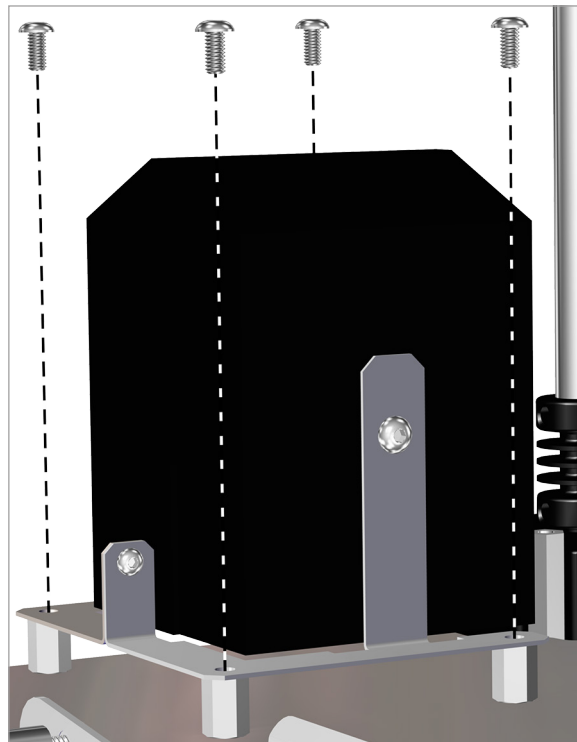


25. Maneuver the interior heater and position it above the inner floor.
26. Lower the inner floor and align the screw holes with the standoffs underneath.

27. Insert the original nine (9) screws that were removed in step 5 and secure the inner floor to the standoffs using a 3 mm hex head driver.



28. Place the heater onto the standoffs and insert the four (4) 2.5 mm hex head screws. Using a 2.5 mm hex head driver, secure the heater to the standoffs.

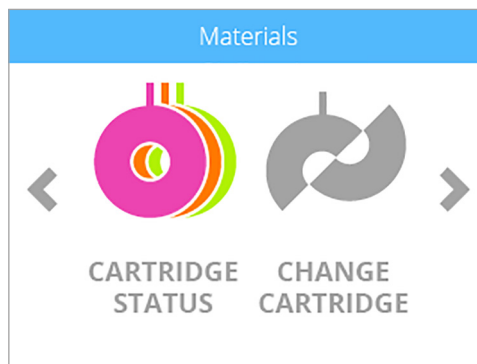


29. Connect the power cord to the printer and turn on the main power switch. Turn on the touchscreen display.

30. Install the jet wiper assembly.

31. Install the material cartridges. Refer to the user guide for more information.

32. Once the material cartridges have been installed, navigate to the Materials screen and select CARTRIDGE STATUS. Verify that the installed cartridges are recognized by the printer.





3D Systems, Inc.

333 Three D Systems Circle | Rock Hill, SC | 29730

www.3dsystems.com

©2014 3D Systems, Inc. All rights reserved.

PN: 403167-00 Rev. A