

CubePro™

Prosumer 3D Printer



Spare Parts Locator

1

SPARE PARTS LIST

	P/N	Description	Qty
1	350195-00	Cubify USB Stick	1
2	401594-00	Cube Glue 2 pack	1
3	401521-02	CubePro Print Pad	1
4	400907	Ultrasonic Support Removal Tank	1
5	403226-00	CubePro Replacement Extruder	1
6	403227-00	CubePro Replacement Nozzle	1
7	401746-00	CubePro Cartridge Bay	1
8	401923-00	CubePro Fuse 2-Pack	1
9	403103-00	CubePro EEPROM PCB	1
10	403214-00	CubePro Replacement Motherboard	1
11	403092-00	CubePro Head PCB	1
12	401751-00	CubePro USB Host PCB	1
13	390101-03	CubePro USB Device PCB	1
14	401861-02	CubePro Temperature Sensor PCB	1
15	401722-00	CubePro Power Supply	1
16	403089-01	Heater Relay Control PCB	1
17	401614	Waste Bin Assembled	1
18	390125-00	Display Screen	1
19	401882-00	AC Power Harness	1
20	401883-00	CubePro Grounding Harness	1
21	401884-00	CubePro Fan Wire Harness 3	1
22	401885-00	CubePro Fan Wire Harness 2	1
23	401886-00	CubePro Fan Wire Harness 1	1
24	401887-00	CubePro LED Wire Harness 2	1
25	401888-00	CubePro Short Jumper Wire Harness	1
26	401889-00	CubePro Main Wire Harness	1
27	401890-00	CubePro Z Motor Wire Harness	1
28	401891-00	CubePro Y Motor Wire Harness	1
29	401892-00	CubePro LED Harness 1	1
30	401893-00	CubePro Relay Control Wire Harness	1
31	401894-00	CubePro 24 VDC Power Wire Harness	1
32	401895-00	CubePro EEPROM Short Wire Harness	1
33	401896-00	CubePro EEPROM Long Wire Harness	1

	P/N	Description	Qty
34	401897-00	CubePro Host USB PCB Wire Harness	1
35	401898-00	CubePro Device USB PCB Wire Harness	1
36	401899-00	CubePro Display Cable Wire Harness	1
37	403115-00	EMI Cable	1
38	273950-00	US, NA 2.0m Power Cordset 13A 125V IEC60320	1
39	273954-00	UK 2.5m Power Cordset 10A 250V IEC60320	1
40	273951-00	EU 2.5m Power Cordset 10A 250V IEC60320	1
41	273952-00	IT 2.5m Power Cordset 10A 250V IEC60320	1
42	273953-00	CH 2.5m Power Cordset 10A 250V IEC60320	1
43	273955-00	CN 2.5m Power Cordset 10A 250V IEC60320	1
44	403198-00	CubePro Packaging Straps	2
45	403199-00	CubePro Packaging Replacement Set	1
46	V-40507-001	JP, US, NA Power Cord, 12A, 250V PSE Approved	1
47	403195-00	Chain Lift	1
48	30-0092	CubePro Extruder Sensor Board Assembly	1

2 CONNECTIONS

EXTRUDER CARRIAGE ASSEMBLY CONNECTIONS

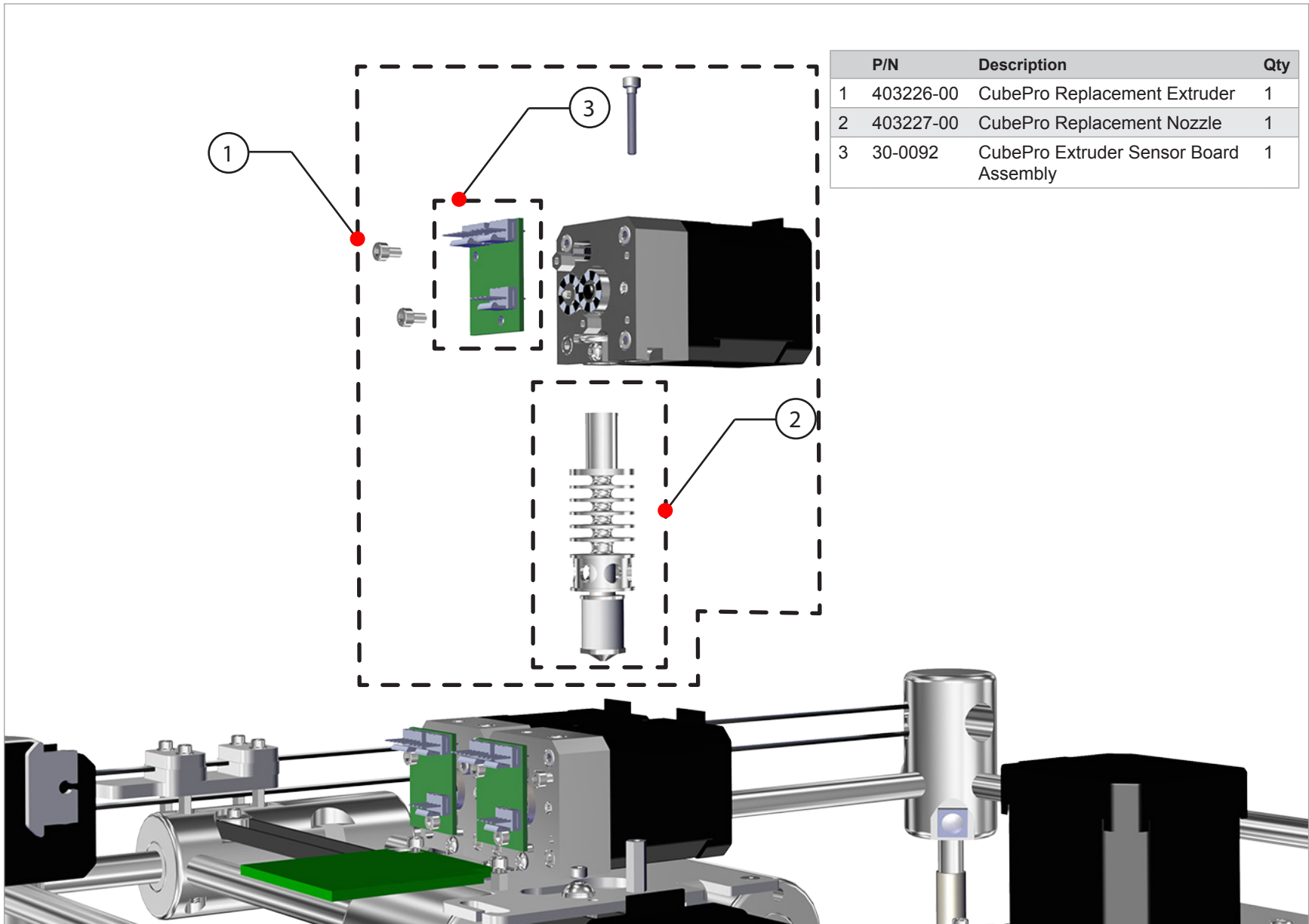
CubePro Head PCB Junctions	Connector - Cable	Extruder PCB Junctions (401380)	Component
	X1 (A) - 401889-00		Extruder 1 Motor: Junction
	X2 (A) - 401889-00		Extruder 2 Motor: Junction
	X3 (A) - 401889-00		Extruder 3 Motor: Junction
	X1 (B) - 401889-00	Extruder 1 PCB: Junction Ex	
	X2 (B) - 401889-00	Extruder 2 PCB: Junction Ex	
	X3 (B) - 401889-00	Extruder 3 PCB: Junction Ex	
J1	401888-00	Extruder 1 PCB: Junction B-Out	
J2	401888-00	Extruder 2 PCB: Junction B-Out	
J3	401888-00	Extruder 3 PCB: Junction B-Out	
	Print Jet 1	Extruder 1 PCB: Junction P-Jet	Extruder 1: 403022-00 (Print Jet 1)
	Print Jet 2	Extruder 2 PCB: Junction P-Jet	Extruder 2: 403022-00 (Print Jet 2)
	Print Jet 3	Extruder 3 PCB: Junction P-Jet	Extruder 3: 403022-00 (Print Jet 3)
J4	P3 - 401888-00		
J6	401887-00		CubePro LED Wire Harness 2
J7	401885-00		CubePro Fan Wire Harness 2 (Right Fan)
J9	401885-00		CubePro Fan Wire Harness 2 (Left Fan)
J10	401884-00		CubePro Fan Wire Harness 3

MOTHERBOARD CONNECTIONS

Junction	Cable P/N	Connected Component
J1	401889-00	X Motor
J2	401891-00	Y Motors
J3	401890-00	Z Motor
J4	401889-00	30-0092 (Extruder 1)
J5	401889-00	30-0092 (Extruder 2)
J6	401889-00	30-0092 (Extruder 3)
J7	401893-00	403089-01 (Heater Relay Control PCB)
J8	401889-00	Limit Switch
J8B	401897-00	J4B - 401751-00 (CubePro USB Host PCB)
J9	401895-00	403103-00 (Cartridge Bay 1)
J10	401889-00	J4 - 403092-00 (CubePro Head PCB)
J12	401899-00	390125-00 (Display Screen)
J13	401896-00	403103-00 (Cartridge Bay 2)
J14	401896-00	403103-00 (Cartridge Bay 3)
J15	401892-00	CubePro LED Harness 1
J16	401894-00	401772-00 (CubePro Power Supply)
J17	401889-00	403018-02 (CubePro Sub Tested Extruder Assembly, 0.35mm)
J18B	401898-00	J4B - 390101-03 (CubePro USB Device PCB)

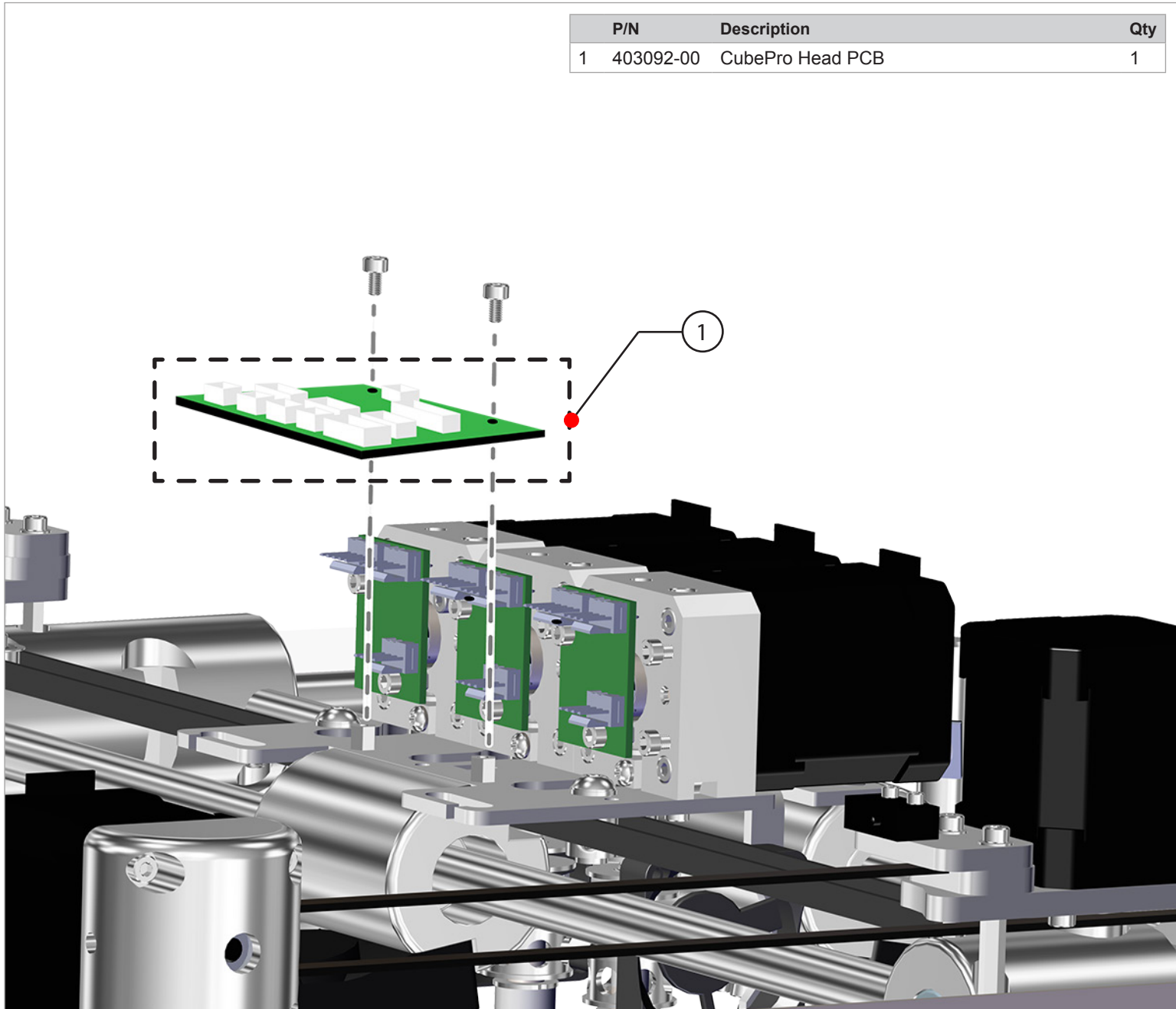
3 SPARE PARTS

EXTRUDER ASSEMBLY



HEAD PCB

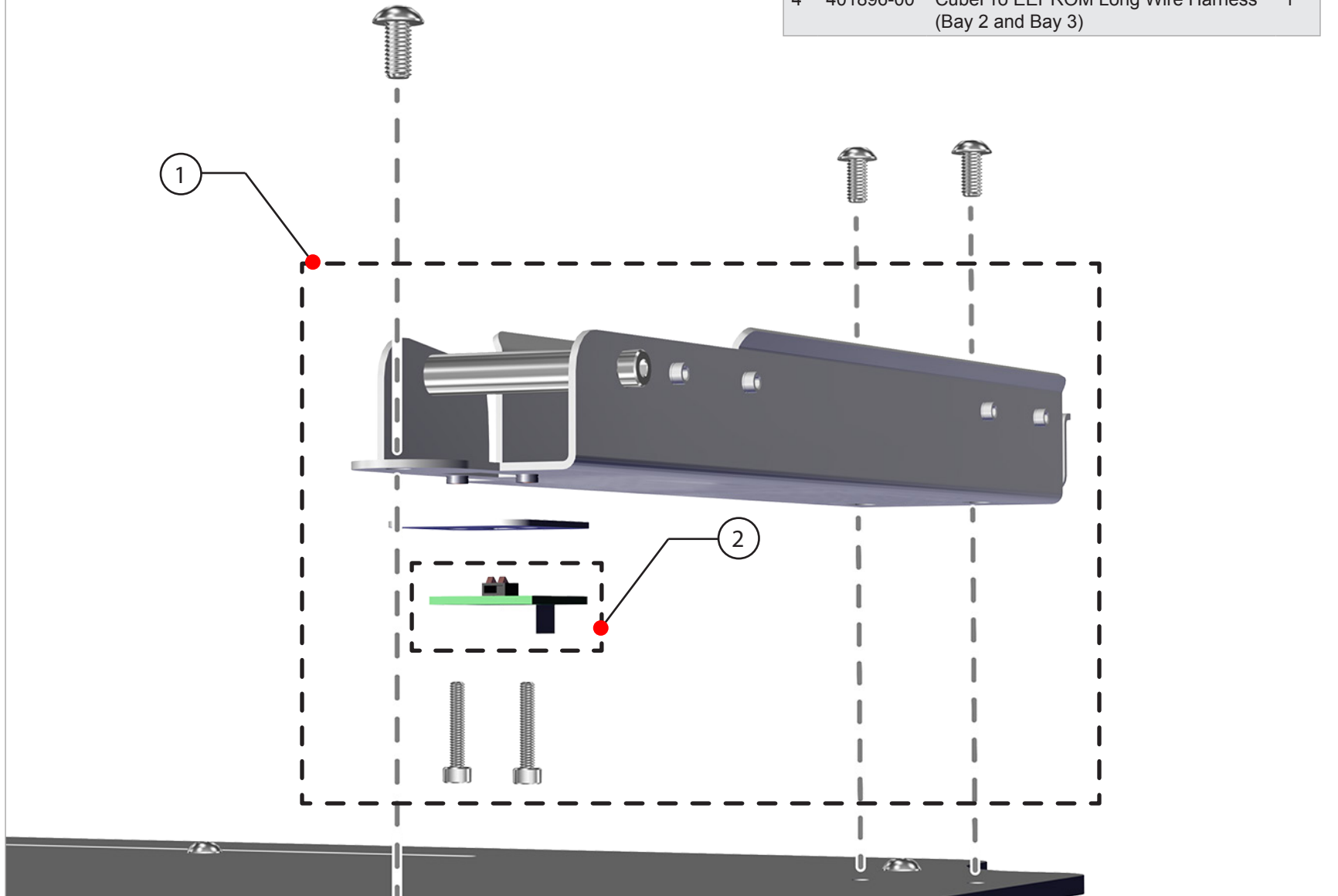
P/N	Description	Qty
1 403092-00	CubePro Head PCB	1



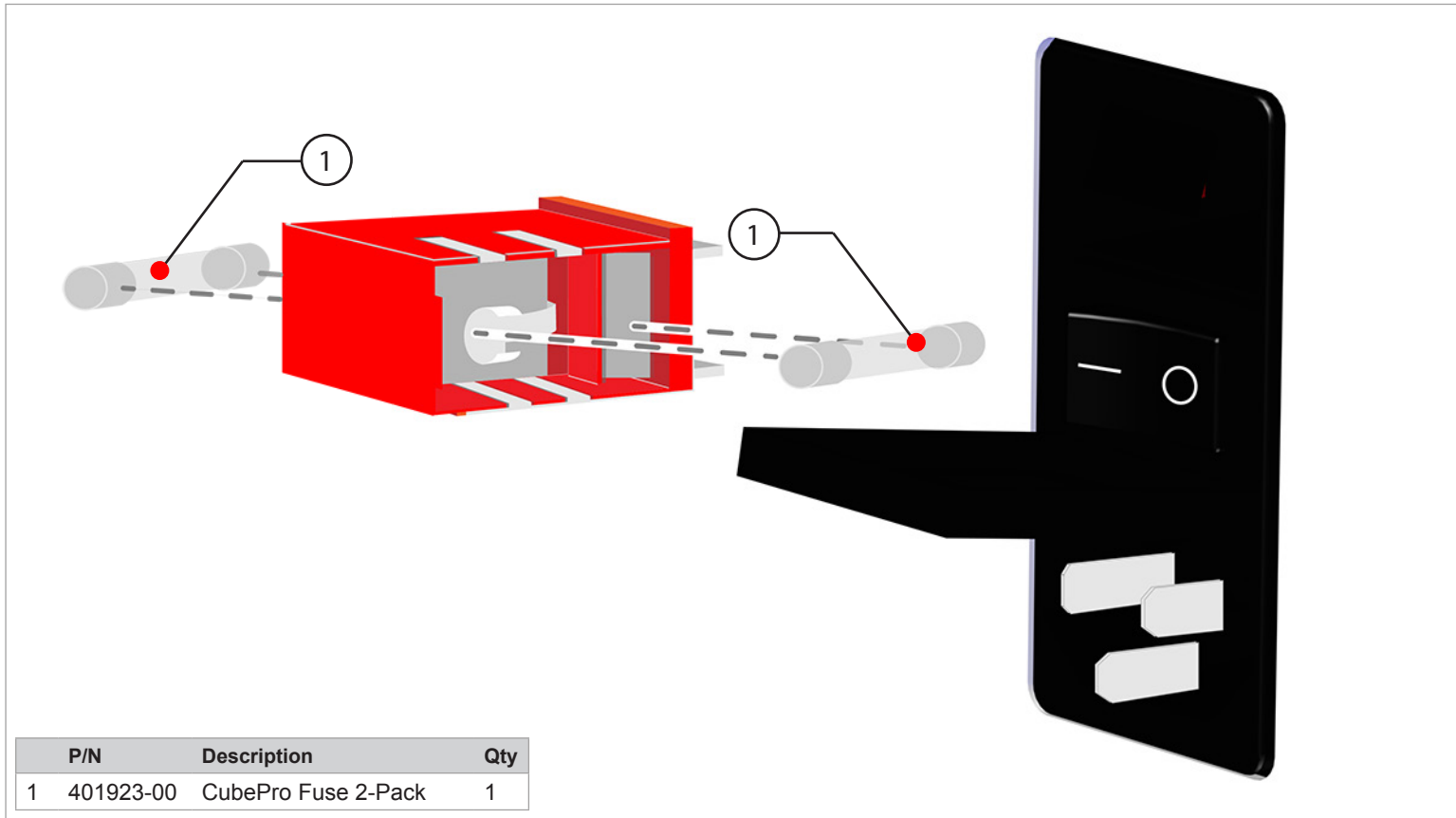
CARTRIDGE BAY

Motherboard Connection	Cable P/N	Cartridge Bay EEPROM PCB Connection
J9	401895-00	Cartridge Bay 1
J13	401896-00	Cartridge Bay 2
J14	401896-00	Cartridge Bay 3

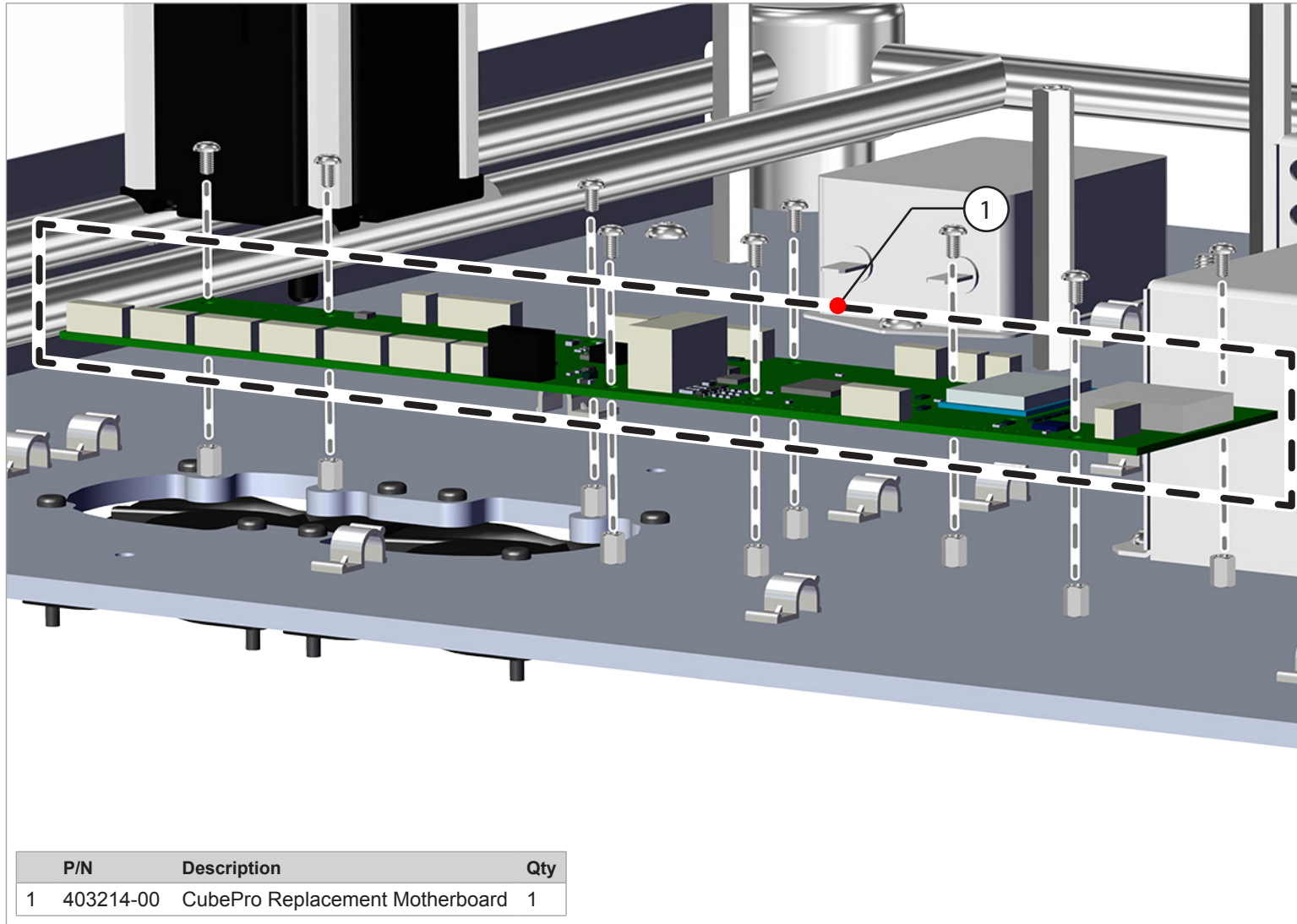
P/N	Description	Qty
1	401746-00 CubePro Cartridge Bay	1
2	403103-00 CubePro EEPROM PCB	1
3	401895-00 CubePro EEPROM Short Wire Harness (Bay 1)	1
4	401896-00 CubePro EEPROM Long Wire Harness (Bay 2 and Bay 3)	1



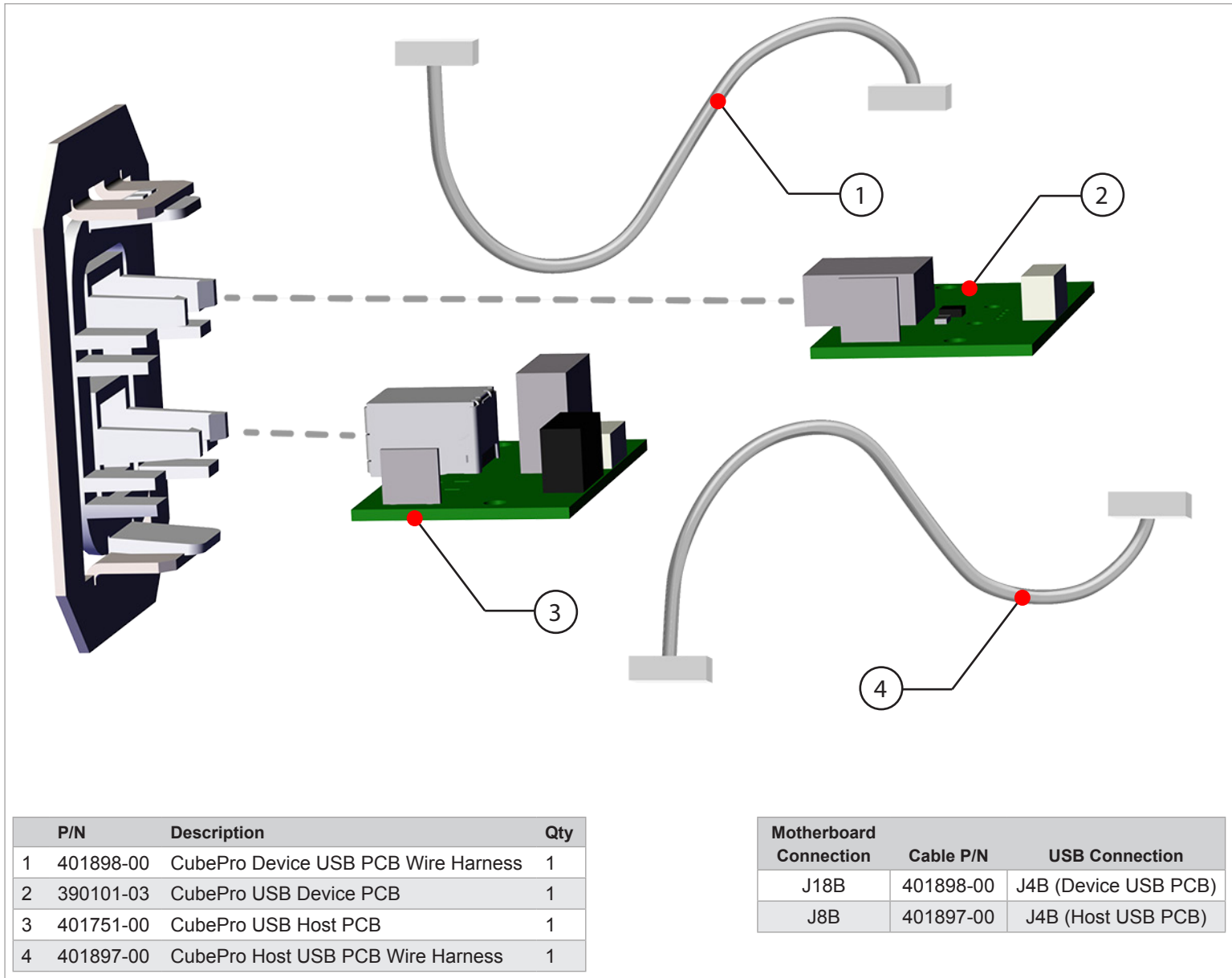
FUSES



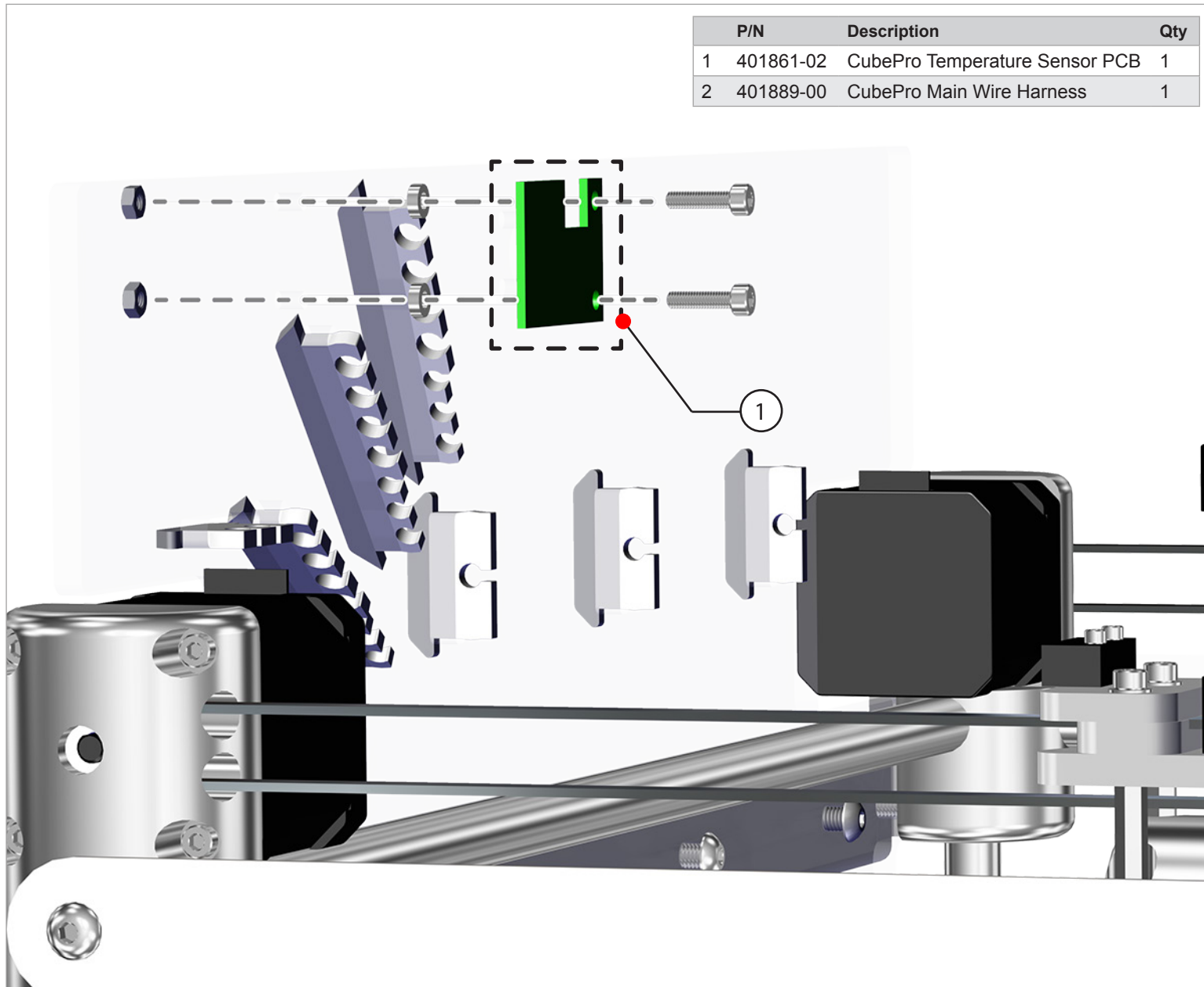
MOTHERBOARD



USB

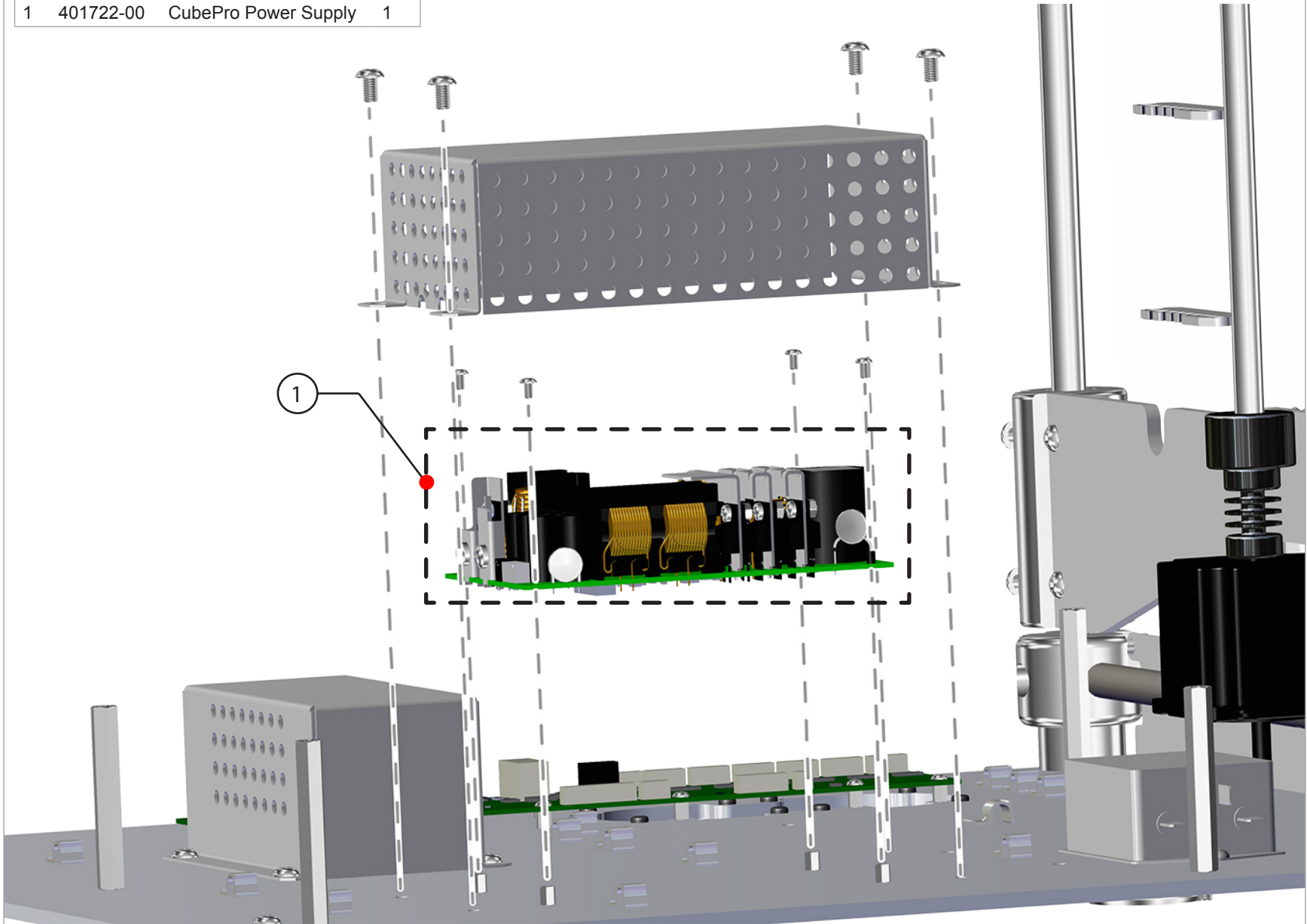


TEMPERATURE SENSOR



CUBEPRO POWER SUPPLY

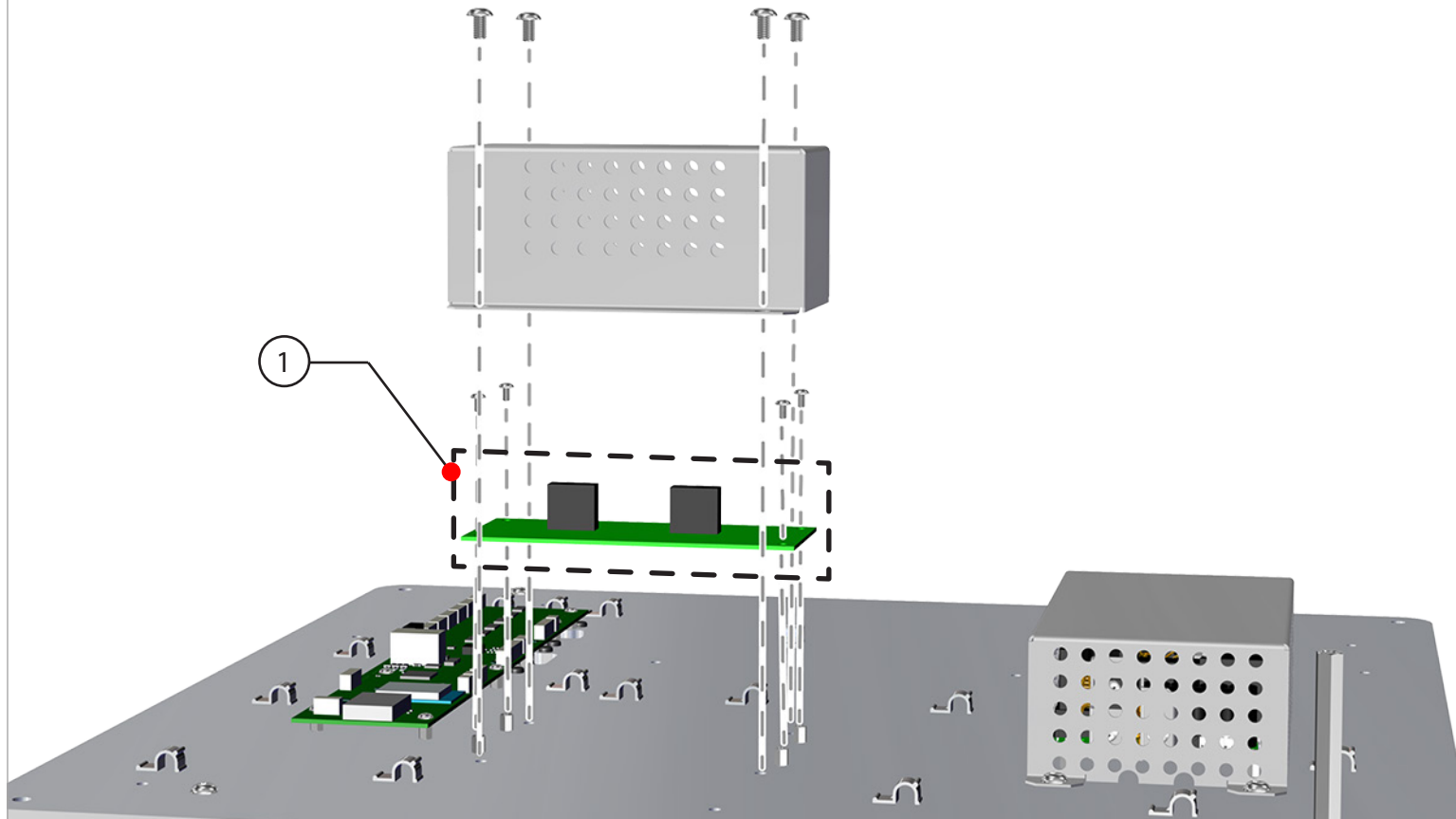
P/N	Description	Qty
1	401722-00 CubePro Power Supply	1



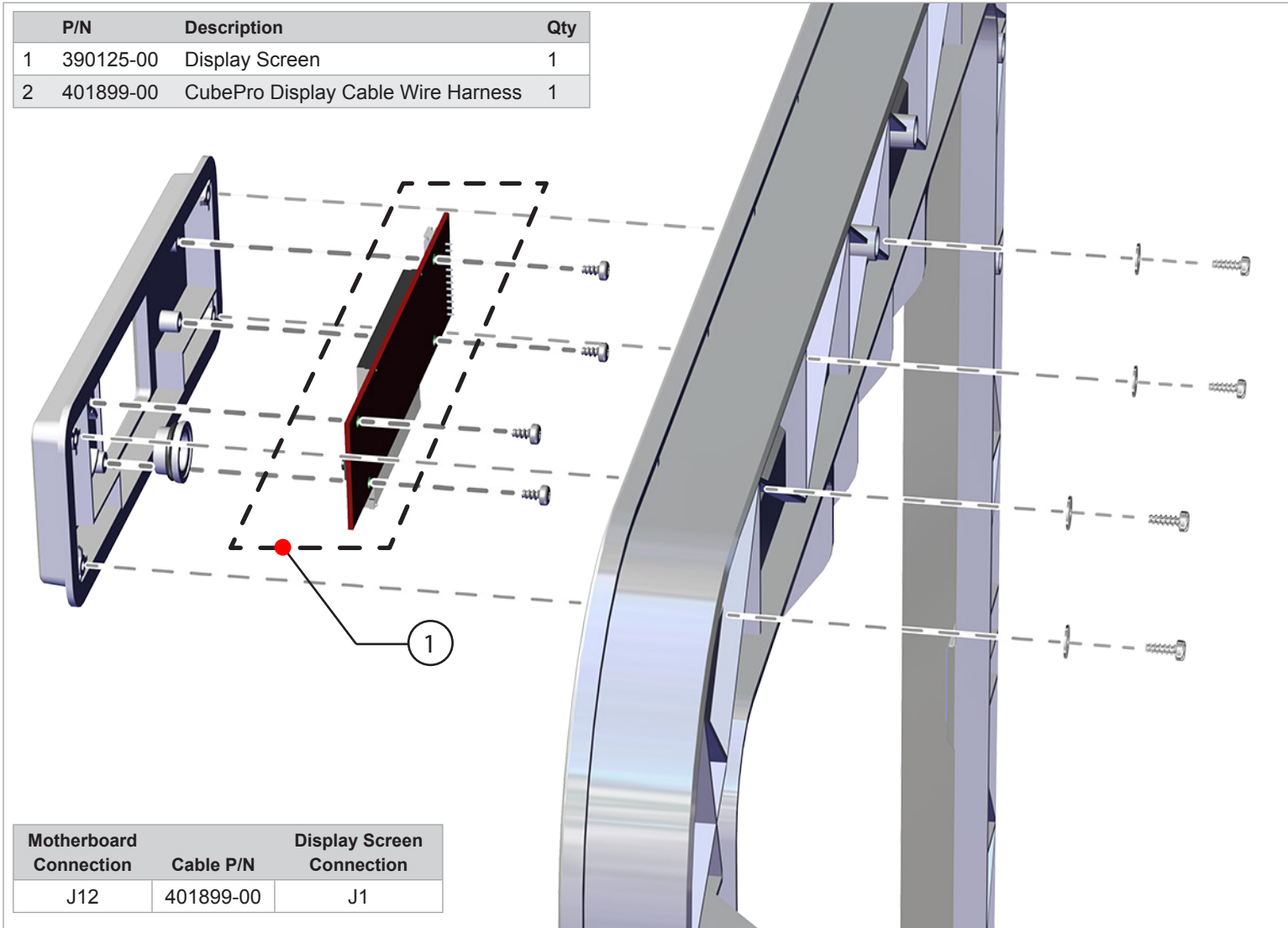
HEATER RELAY CONTROL PCB

Motherboard Connection	Cable P/N	Relay Connection
J7	401893-00	J1

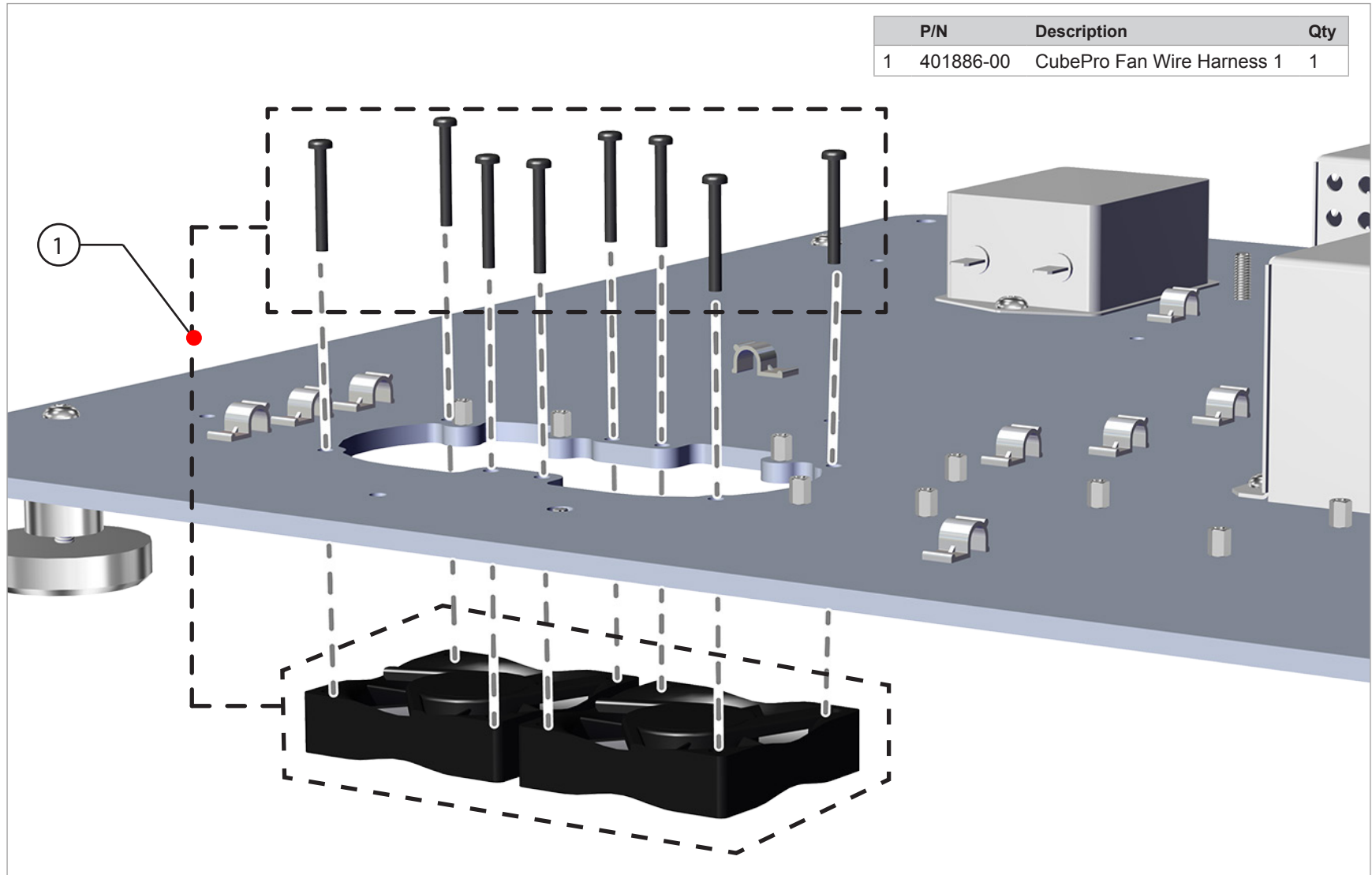
P/N	Description	Qty	
1	403089-01	Heater Relay Control PCB	1
2	401893-00	CubePro Relay Control Wire Harness	1



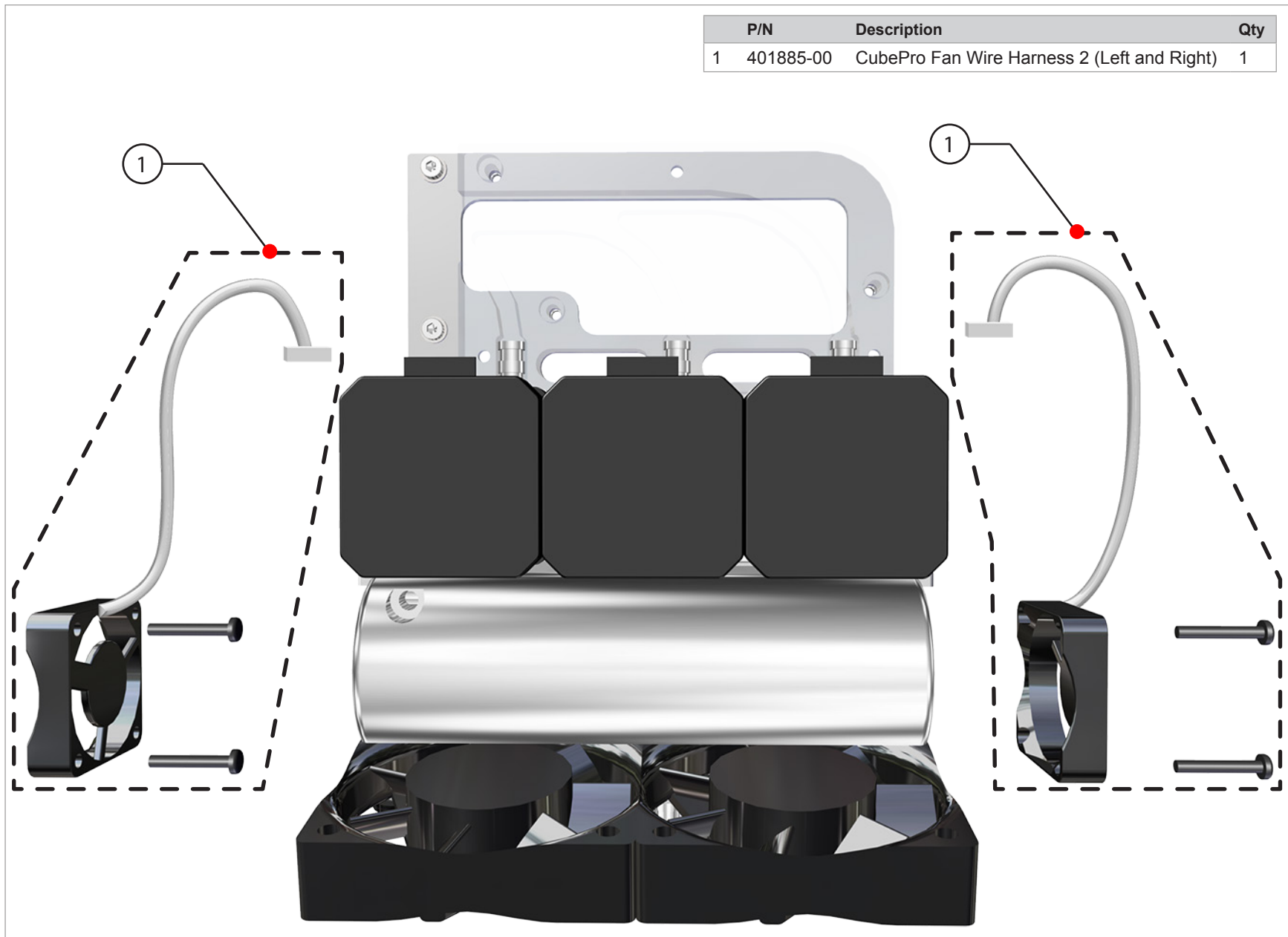
DISPLAY SCREEN



CUBEPRO FAN WIRE HARNESS 1

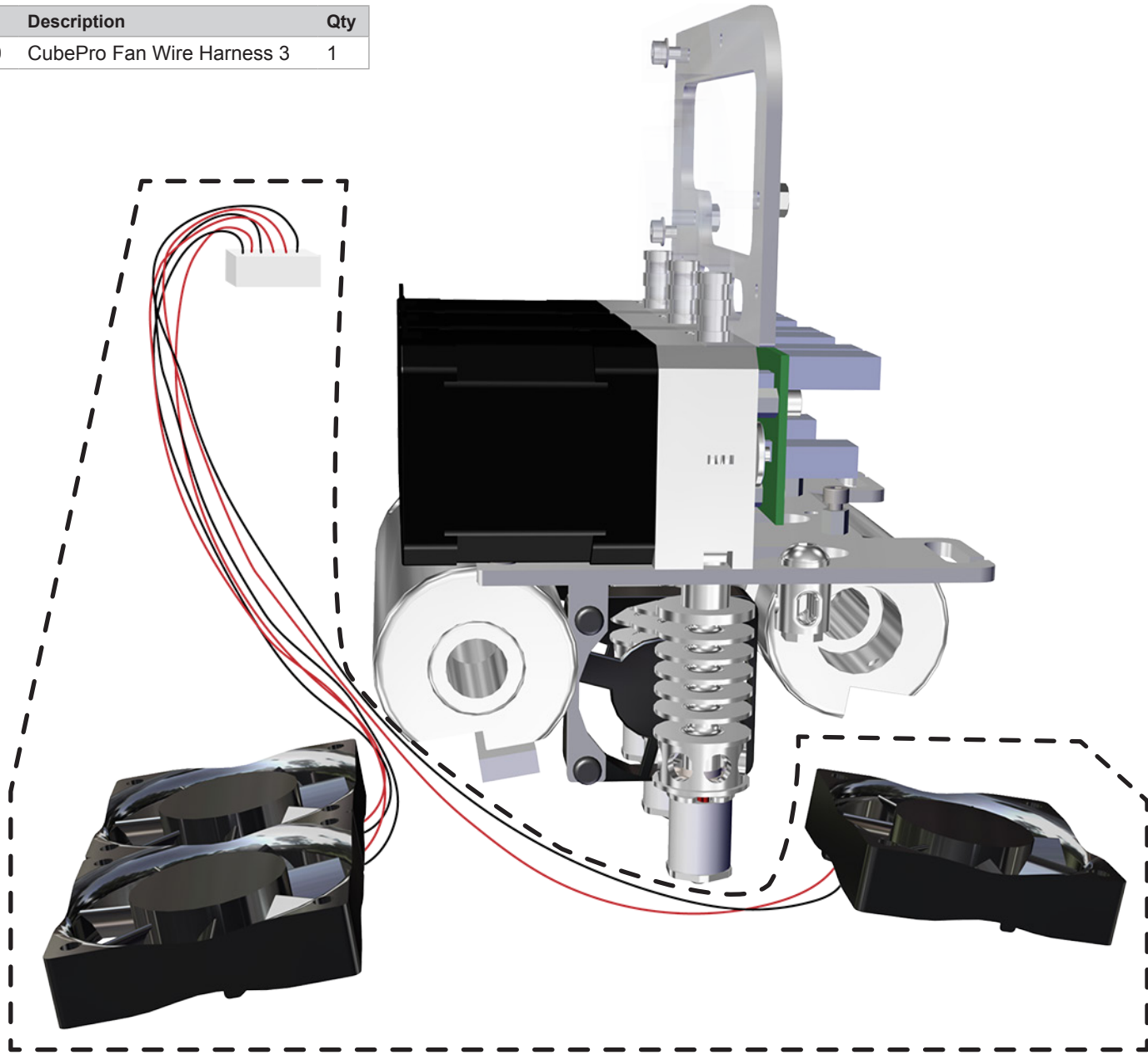


CUBEPRO FAN WIRE HARNESS 2



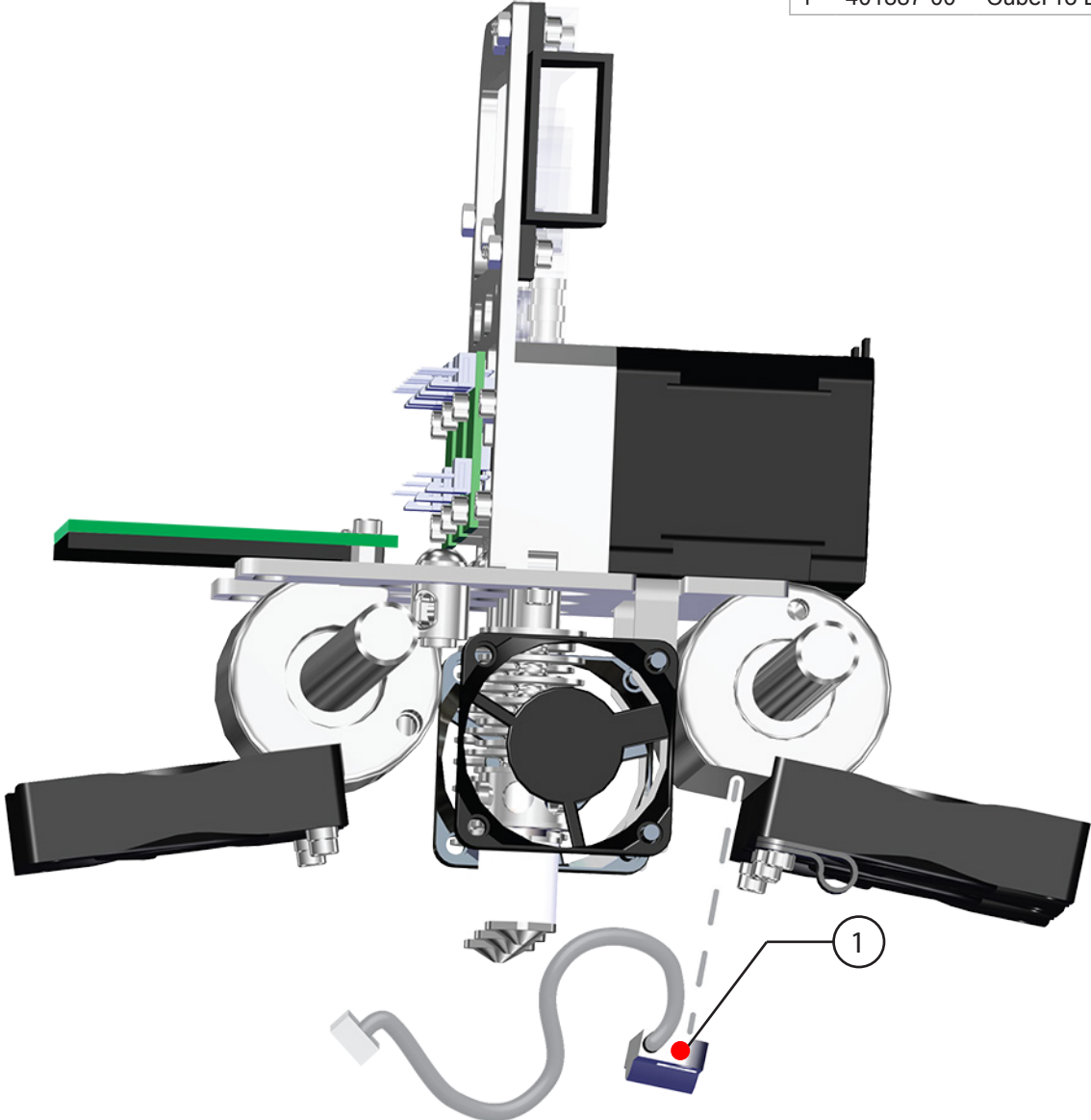
CUBEPRO FAN WIRE HARNESS 3

P/N	Description	Qty
1	401884-00 CubePro Fan Wire Harness 3	1

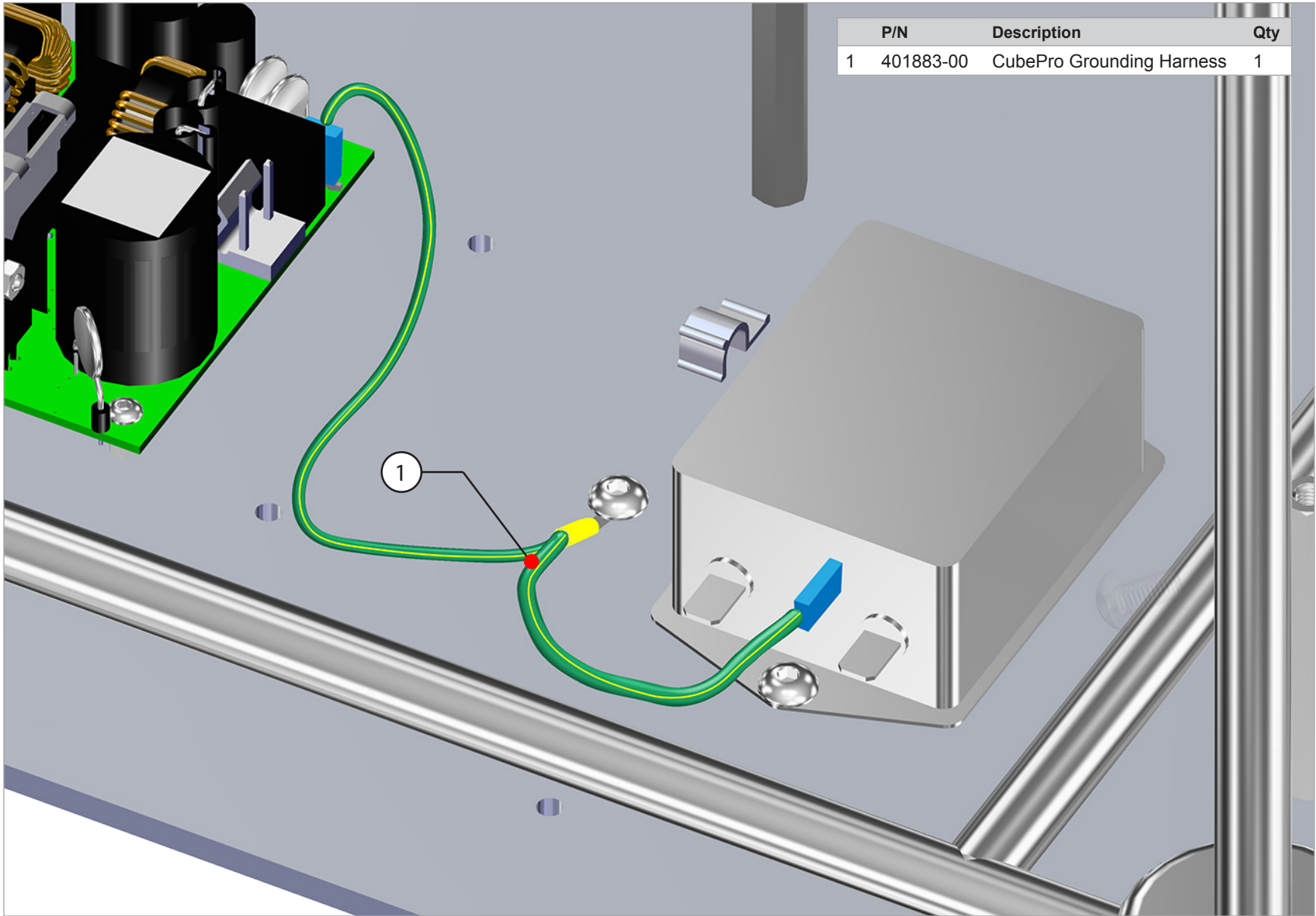


CUBEPRO LED WIRE HARNESS 2

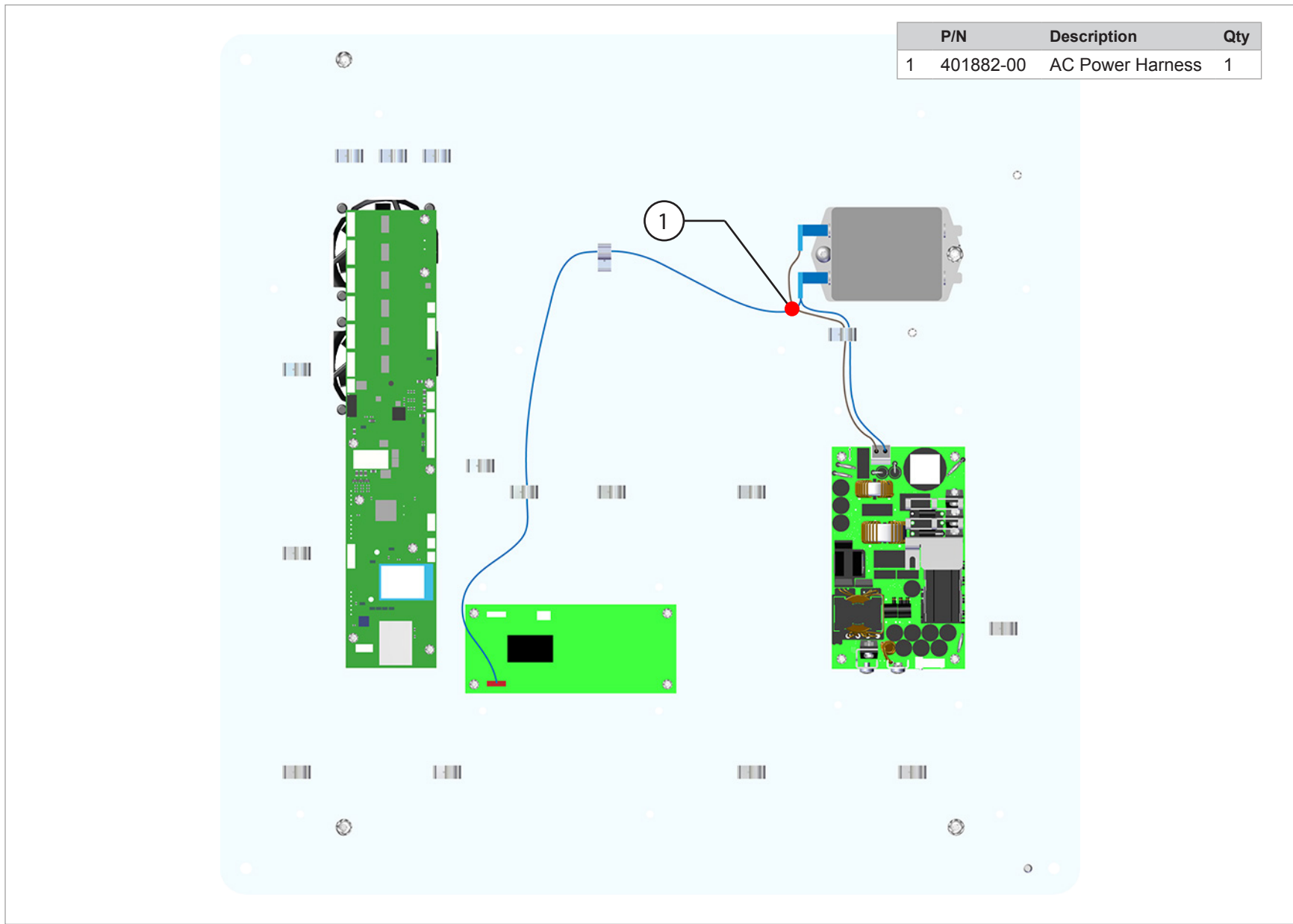
P/N	Description	Qty	
1	401887-00	CubePro LED Wire Harness 2	1



CUBEPRO GROUNDING HARNESS

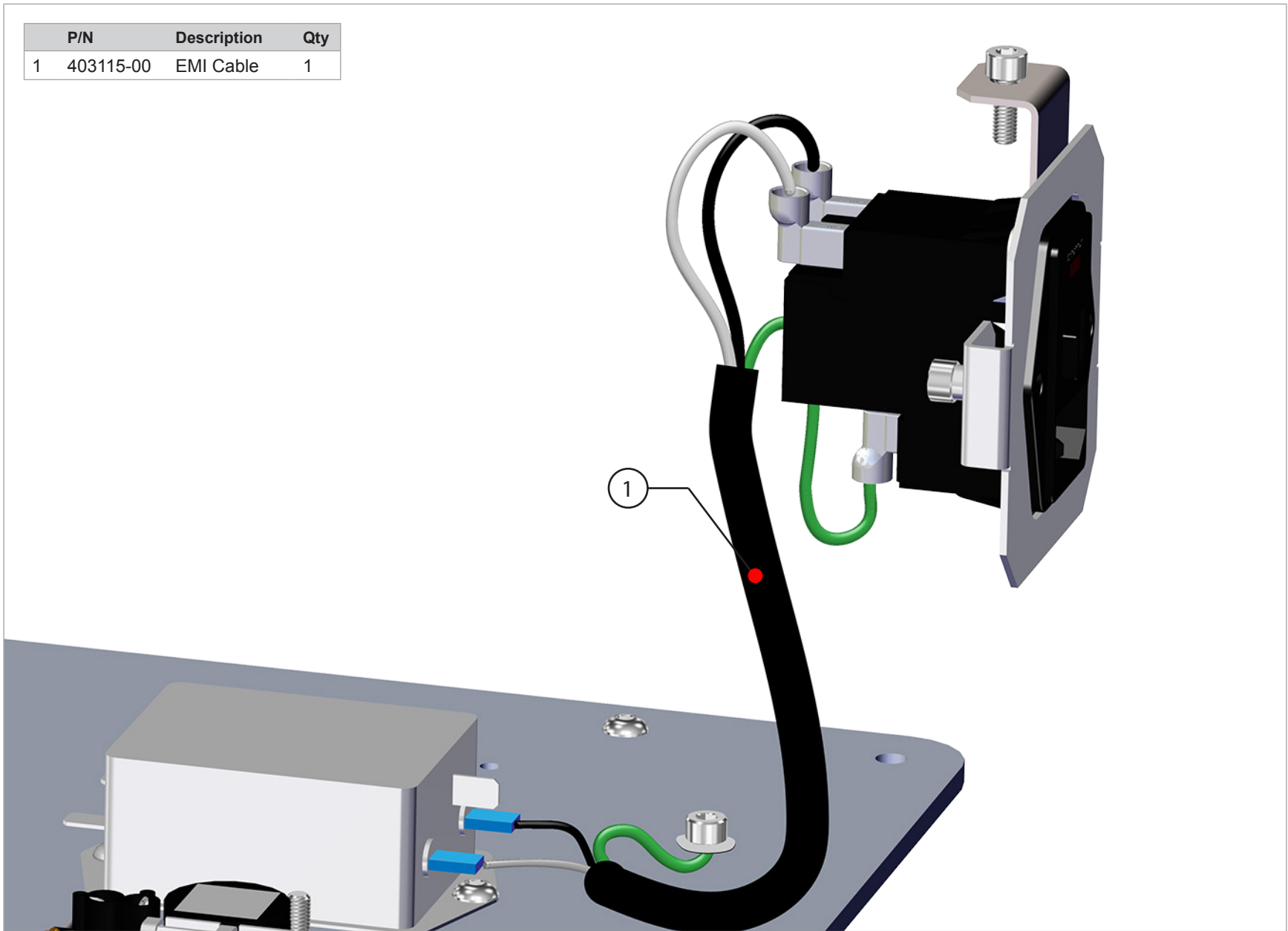


AC POWER HARNESS

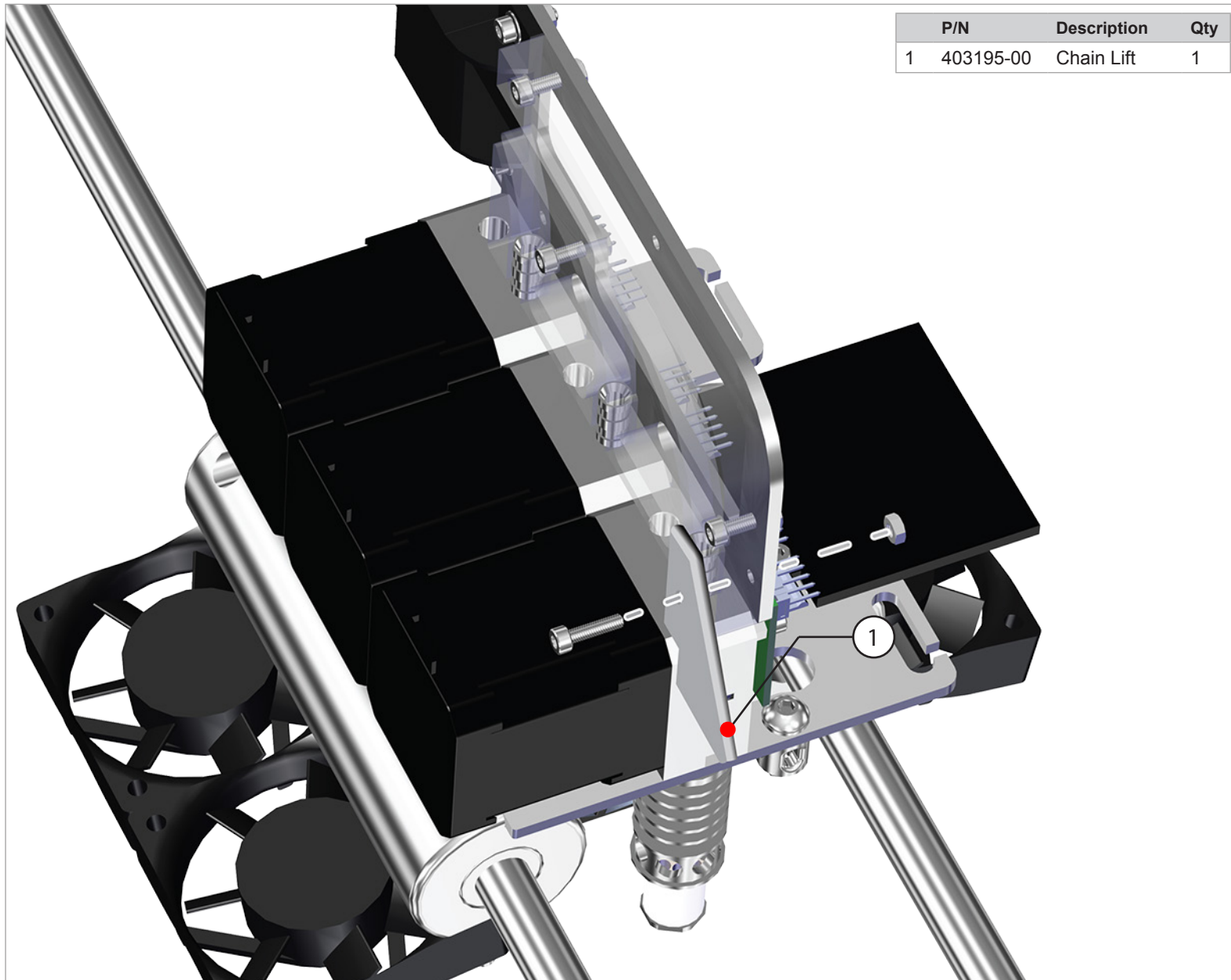


EMI CABLE

P/N	Description	Qty
1	403115-00 EMI Cable	1



CHAIN LIFT





3D Systems, Inc.

333 Three D Systems Circle | Rock Hill, SC | 29730

www.3dsystems.com

©2015 3D Systems, Inc. All rights reserved.

PN: 403186-00 Rev. B